

AT-LP2D-USB

USB Stereo Turntable System

AT-LP2D-USB

Tourne-disque stéréo USB

AT-LP2D-USB

Sistema tocadiscos USB estéreo

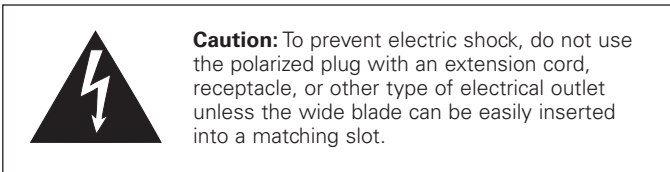
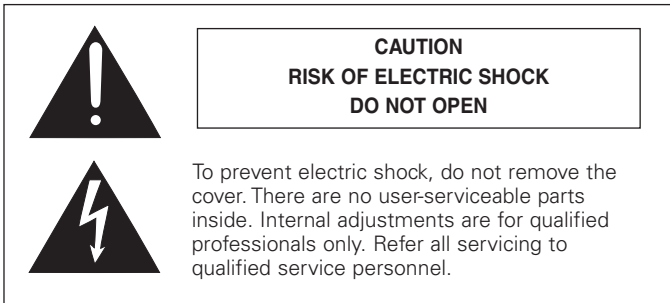
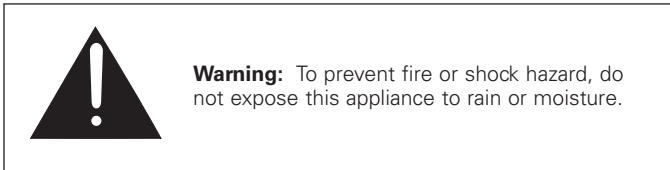
Installation and Operation Pages 2-8

Installation et utilisation Pages 9-15

Instalación y funcionamiento Páginas 16-22

Automatic Stereo Turntable System

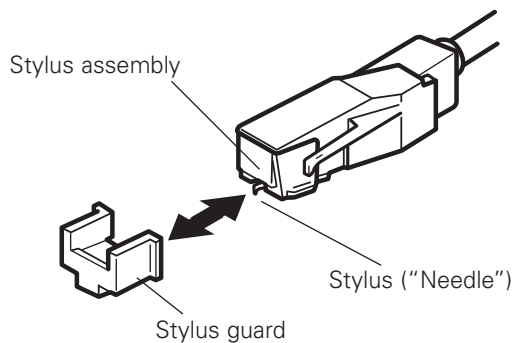
Installation and Operation



To assure maximum satisfaction from this product, please read the information and follow the instructions presented in this manual. Please keep the manual in an accessible location for future reference.

We suggest that you save all the packaging materials for possible future storage, moving or shipping.

CAUTION: To avoid stylus damage, make certain the included stylus guard is in place whenever the turntable is being installed, moved or cleaned.



Introduction

Thank you for purchasing the AT-LP2D-USB. Audio-Technica brings its legendary quality and audio fidelity to the digital realm with this LP-to-Digital Recording System. In the box, you'll find everything you need to transfer your classic LP collection to digital files: Audio-Technica's AT-LP2D-USB stereo turntable, complete with USB output that allows direct connection to your computer; recording software—Cakewalk pyro (for PC use) and Audacity (for MAC or PC); an integral dual-magnet Audio-Technica phono cartridge; a USB cable and adapter cables. The turntable also offers a built-in switchable phono/line preamp that allows connection to a stereo system equipped with either a phono or line-level input.

AT-LP2D-USB stereo turntable features:

- USB output—no special drivers required for direct connection to your computer
- Built-in switchable stereo phono/line level pre-amplifier. Permits use of turntable with stereo systems having either magnetic-phono inputs or "AUX" (line-level) inputs; also allows convenient use of turntable with most powered speakers
- PC & Mac compatible
- Fully automatic operation
- Two speeds: 33 1/3 RPM and 45 RPM
- Professional aluminum turntable platter
- Integral Audio-Technica Dual Magnet™ phono cartridge with replaceable diamond stylus
- Damped lift/cueing mechanism with front-panel control
- Removable dust cover

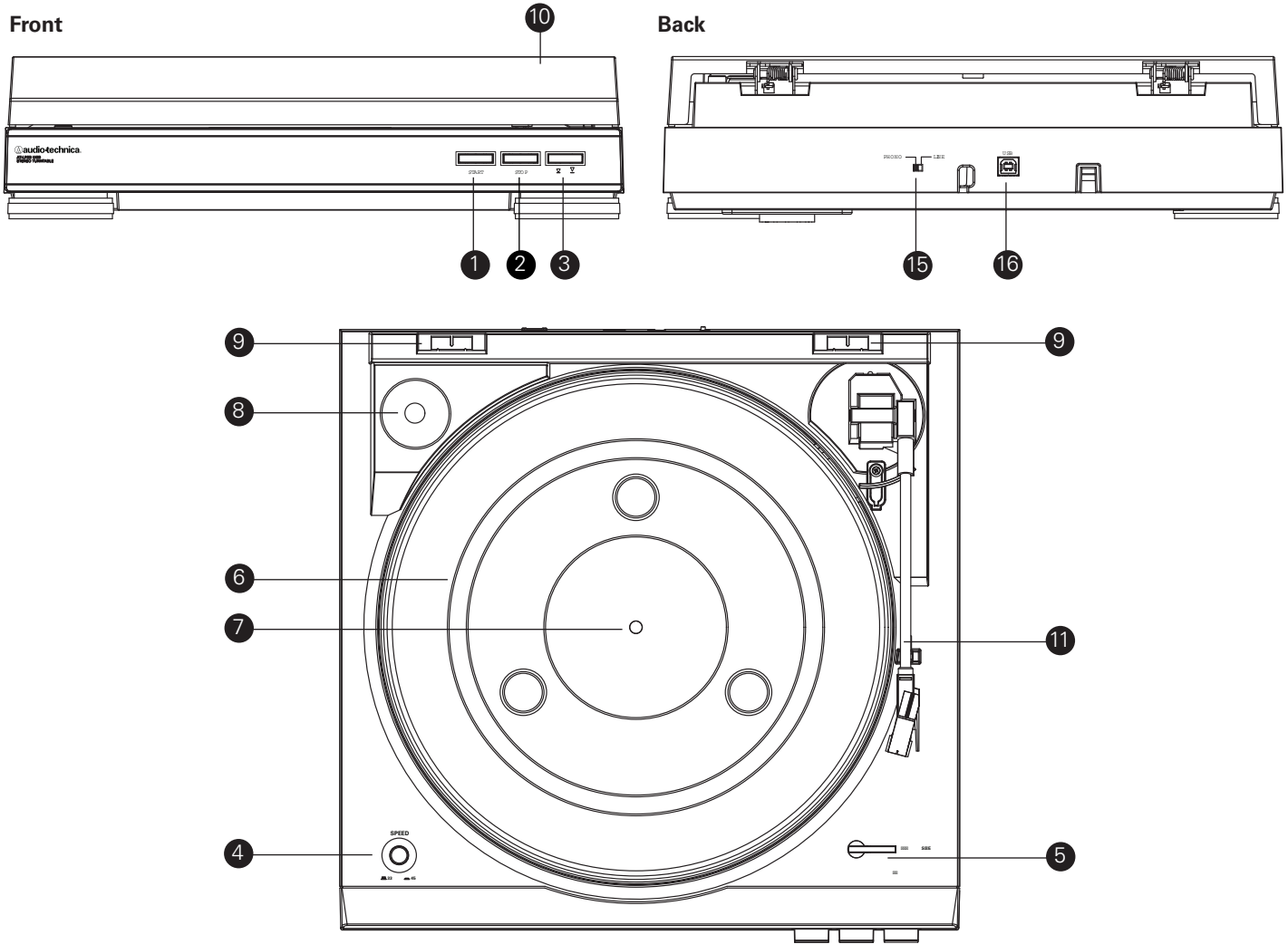
What's in the box

- AT-LP2D-USB Turntable
- Removable dust cover
- Record mat
- Platter
- Drive belt
- 45 RPM adapter
- USB cable
- Dual RCA (female) to 1/8" (3.5 mm) mini-plug (male) stereo adapter cable
- Dual RCA (female) to 1/8" (3.5 mm) mini-plug (female) stereo adapter cable
- Cakewalk pyro software (for PC use only)
- Audacity software (for MAC or PC use)
- AT-LP2D-USB Turntable Owner's Manual
- Software Guide

Figure 1 Main Features

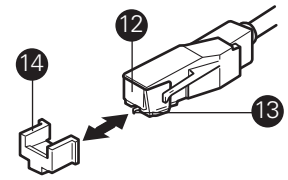
Front

Back



1. **START BUTTON**
Engages the motor/platter and begins automatic operation.
2. **STOP BUTTON**
Disengages the motor/platter and returns tone arm to rest.
3. **TONE ARM LIFT BUTTON**
Lifts and lowers tone arm for manual selection.
4. **PLATTER SPEED BUTTON**
Select 33 RMP (button in high position) or 45 RPM (button in low position) platter speed.
5. **SIZE SELECTOR**
Select the size of the record: 12" or 7".
6. **PLATTER**
Aluminum platter mounts directly to center spindle/motor shaft.
7. **CENTER SPINDLE**
Precision-machined platter-mount portion of the motor shaft.
8. **45-RPM ADAPTER (Shown in receptacle)**
Adapts 7" records with large center holes to fit center spindle.

9. **DUST COVER HINGE HOLDERS**
Attachment points for removable hinged dust cover.
10. **DUST COVER**
11. **TONE ARM/HEADSHELL ASSEMBLY**
Tone arm is permanently attached to the headshell assembly.
12. **STYLUS ASSEMBLY**
13. **STYLUS ("NEEDLE")**
14. **STYLUS GUARD**
15. **PRE-AMP SELECTOR SWITCH (PHONO/LINE)**
(On back of turntable) Use PHONO setting when you connect to the phono input on your home stereo. Use the LINE level when you connect to CD/TAPE/AUX inputs of your home stereo.
16. **USB OUTPUT**
Use this output to connect your turntable to the USB input of your computer. Please see included software guide for instructions.



Setup & Operation

Assembling the Turntable

The AT-LP2D-USB requires some assembly before first use. **IMPORTANT:** Do not connect the AC power cord until assembly is complete.

1. Carefully place the turntable platter on the center spindle, making certain the platter is fully seated on the spindle.
2. While holding both ends of the red tape ribbon on the turntable belt, carefully pull the belt over the motor pulley (Fig. 2a). (If the belt drops off, remove the turntable platter and put the belt back on it, as described on page 7.)
3. Once the belt is seated in the pulley's groove, carefully remove the ribbon. Make certain the belt is not twisted.
4. Place the turntable mat on top of the turntable platter (Fig. 2b).
5. If desired, the hinged dust cover may be removed. Hold both sides of the dust cover and pull upward **gently and evenly** to detach the cover from the turntable (Fig. 2c). Keep the cover in a safe, clean place.
6. To re-install the dust cover, guide the dust cover hinges into the two hinge receptacles located at the back of the turntable housing

Connecting to Computers with USB Input

The USB cable (included) connects your AT-LP2D-USB turntable to your computer without need for special drivers. Refer to included software guide (also available online at www.audio-technica.com) before connecting the turntable to your computer.

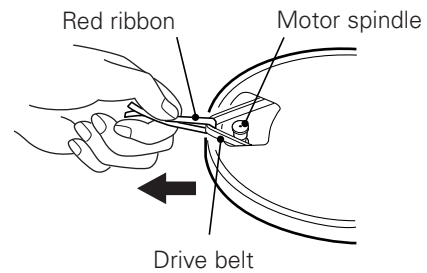
Setting the Pre-amp (Phono/Line) Switch

For increased flexibility of use, this turntable has an internal stereo phono pre-amplifier. The Pre-amp Selector (Phono/Line) Switch is located on the back of the turntable. If the stereo system you are using has a PHONO input, set the Pre-amp Selector Switch to the "PHONO" position. If your stereo system does not have a PHONO input, set the Pre-amp Selector Switch to the "LINE" position and connect the turntable's output cables to the AUX or other high-level input on your stereo system (described later) (Fig. 3).

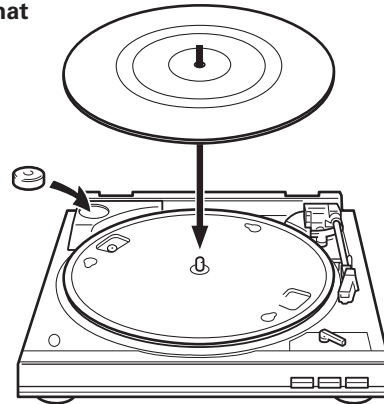
NOTE: If you are using the USB cable to connect your turntable to a computer, the Pre-amp Selector Switch setting has no effect on USB operation.

Figure 2 Assembling the Turntable

2a Drive belt



2b Record mat



2c Dust cover removal

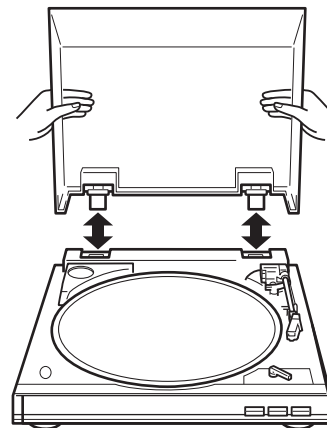
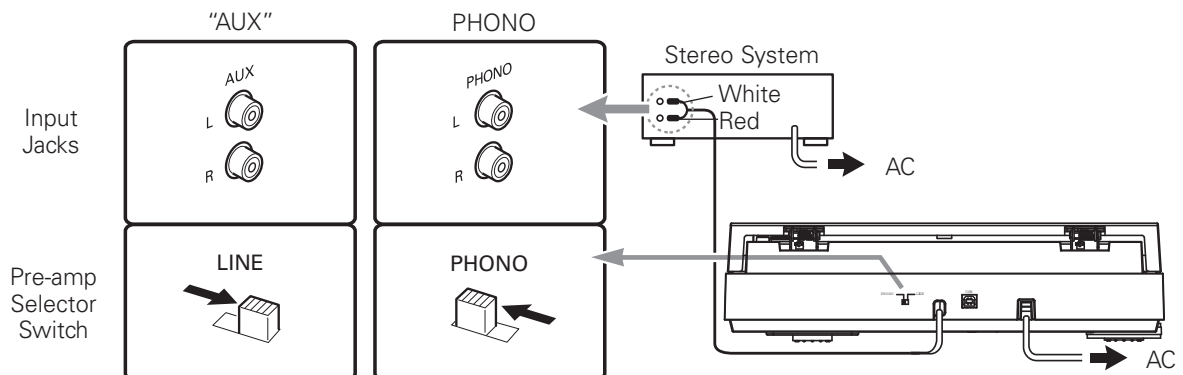


Figure 3



Connecting to Stereo System

1. Connect the red RCA-type pin-plug to the right channel input and the white RCA-type pin-plug to the left channel input of your stereo system (Fig. 3, page 4).
2. With the tone arm still fastened to the tone arm rest, slowly turn the turntable platter **clockwise** ten times, to make certain the automatic mechanism is fully cycled.
3. Remove the vinyl tie that holds the tone arm on its rest.
4. Connect the power cord plug to an AC outlet.
5. **NOTE:** You do not need to disconnect your turntable from your stereo system in order to connect it to a computer via the USB port. This allows you to monitor your recordings when using recording software. See software guide for further information.

Connecting to Computers or Audio Devices with 3.5 mm Input

The AT-LP2D-USB connects without adapters to devices equipped with RCA connectors. For maximum flexibility, we have included two adapter cables to fit other popular audio inputs.

The first of these adapter cables—dual RCA to stereo 3.5 mm mini-plug (male)—is designed to fit most popular computer* audio inputs. It may also be used to connect the turntable's RCA output to other equipment, including:

- a stereo/boombox* equipped with a 3.5 mm mini input
- powered speakers* equipped with a 3.5 mm mini input
- a mixer* or PA system* equipped with a 3.5 mm mini jack

The second included adapter cable—dual RCA to stereo 3.5 mm mini-plug (female)—permits connection of the turntable output to amplified speakers* or similar devices. The 3.5 mm stereo minijack on the cable adapter accepts stereo mini-plugs.

To use either adapter cable, connect the turntable's red and white RCA-type plugs to the cable adapter's RCA-type jacks.

*** When using either cable adapter, always set the AT-LP2D-USB turntable's Pre-amp Selector Switch to the "LINE" position. (Switch is located on the back of the turntable.)**

NOTE: If connection is desired to a mono amplifier/speaker, make certain to use a stereo-to-mono adapter, available from your dealer or an electronic parts store. Inserting a mono plug in the stereo jack will disable one of the stereo channels. Other adapter cable configurations will be available from dealers and parts stores for connecting to devices needing different terminations.

Operation

Automatic Operation

1. Remove the stylus guard from the stylus assembly (Fig. 4).
2. Put a record on the turntable. If needed, use the 45 RPM adapter (Fig. 5).
3. Select the size of record: 12" or 7" (Fig. 6).
4. Select the speed: 33 $\frac{1}{3}$ RPM or 45 RPM (Fig. 7).
5. **Start:** Gently push the START button (Fig. 8a). The turntable will start and the tone arm automatically will move to the lead-in groove. When the record has finished playing, the tone arm will automatically return to the tone arm rest and the turntable will shut off.
6. **Stop:** To stop playing the record before it reaches the end, press the STOP button (Fig. 8b). The tone arm will lift and return to the tone arm rest, and the turntable will shut off.
7. **Pause:** To pause the record before it has completed playing, press the tone arm Lift button (Fig. 8c). Press the Lift button again to continue playing the record.

Figure 4

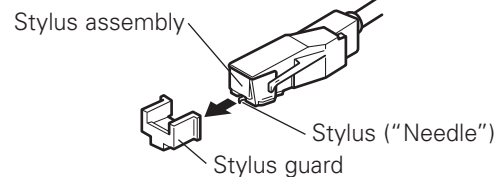
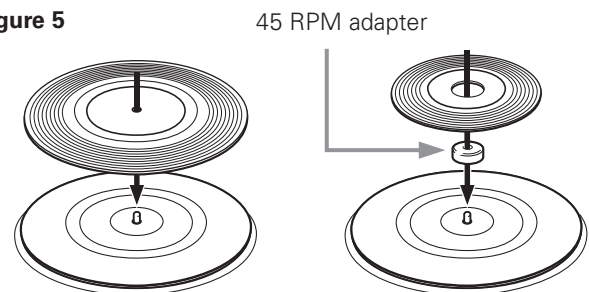


Figure 5



Caution: When the tone arm reaches the end of the record, it will lift and return to the tone arm rest automatically. When this happens, **do not interfere with the tone arm's motion, or damage to the mechanism may occur.**

If the tone arm does not return automatically to the tone arm rest after the record has finished playing, simply press the STOP button to complete operation.

Manual Operation

1. Remove the stylus guard from the stylus assembly (Fig. 4).
2. Put a record on the turntable. If needed, use the 45 RPM adapter (Fig. 5).
3. Select the size of record: 12" or 7" (Fig. 6).
4. Select the speed: 33 1/3 PRM or 45 RPM (Fig. 7).
5. Press the Lift button IN to raise the tone arm (Fig. 8c).
6. Gently move the tone arm so the stylus is over the point on the record where play is desired to begin.
7. Press the Lift button again to gently lower the tone arm and play record.

Figure 6

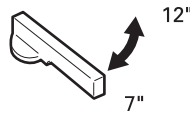


Figure 7

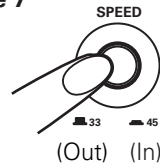


Figure 8

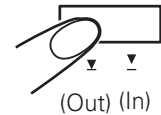
8a



8b



8c



Replacing the Stylus

While holding the head of the tone arm, rotate the front of the stylus assembly in a forward and down motion to remove it (Fig. 9). (As you remove the old assembly, note its position and "feel," to aid in properly installing the new one.)

Install the new stylus assembly as shown in Figures 10a/10b, being careful not to touch the actual stylus. Make certain that the projection at the back of the assembly is fully seated in the cartridge body **first** (Fig. 10a), and that the assembly "clicks" up into place, with no gap between its top edge and the front of the black plastic tone arm head (Fig. 10b). Replace the stylus after 400 hours of use.

To maintain original performance, insist upon a genuine Audio-Technica brand replacement stylus. Look for the Audio-Technica trademark (Ⓐ) on the front of the stylus assembly and on the packaging.

Figure 9 Removing the stylus

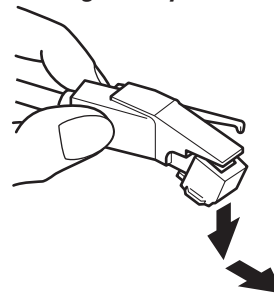
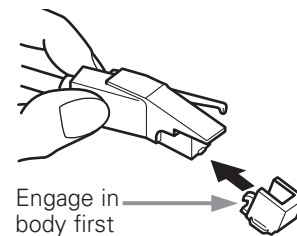
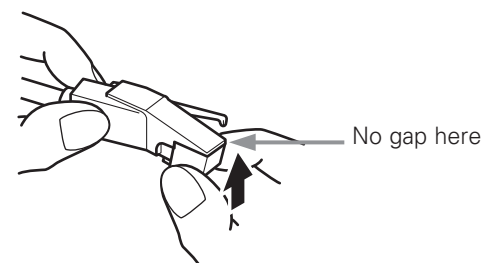


Figure 10 Installing a new stylus

10a



10b

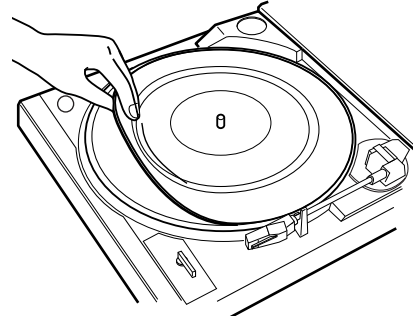


Turntable does not operate

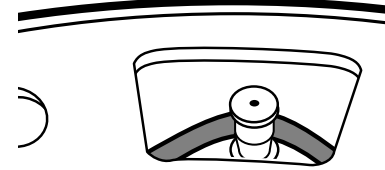
1. Make certain the turntable's AC cord is plugged into an AC outlet, and that the AC outlet is "live."
2. Check the drive belt to make certain it is on correctly. (See Figure 11.)
 - A) Remove the record mat from the turntable platter (Fig. 11a). Place the mat in the cardboard packaging sleeve for safekeeping. Through an opening in the turntable platter, visually inspect to see if the drive belt is around the motor pulley (Fig. 11b).
 - B) If the drive belt is not around the motor pulley: Lift and remove the turntable. Place a thumb into each of the left and right openings on the turntable platter; and, using the fingers to press down on the turntable housing's surface, pull the platter **straight up** (Fig. 11c). Avoid pressing on the tone arm.
 - C) With the turntable platter bottom side up, place the belt along the outside wall of the turntable platter's drive rim, making certain that the belt is smooth and flat all the way around (Fig. 11d).
 - D) Put the turntable back on the center spindle, make certain it is fully seated, and align one of its openings over the motor pulley position.
 - E) Through the opening, carefully hook the turntable belt with a finger or with the original red ribbon (*never* use a sharp object) and pull the belt over the motor pulley (Fig. 11e). Make certain the belt is not twisted between the pulley and the platter's drive rim.
 - F) Put the record mat back on the platter.
 - G) While holding the tone arm in its rest position, slowly turn the platter by hand clockwise at least 10 rotations to clear the mechanism's automatic cycle.

Figure 11 Checking the drive belt

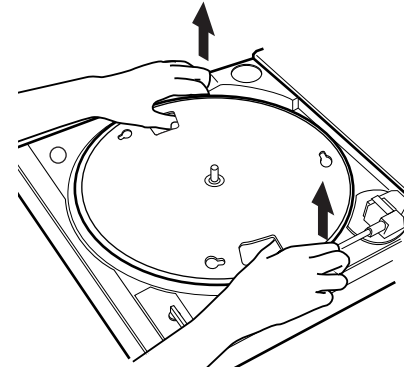
11a



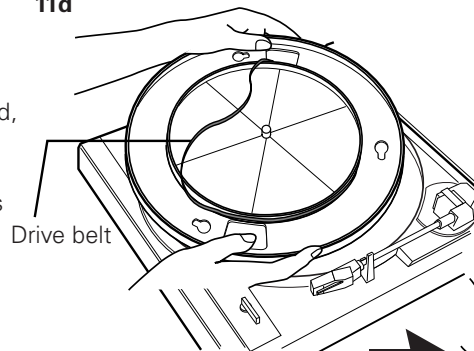
11b



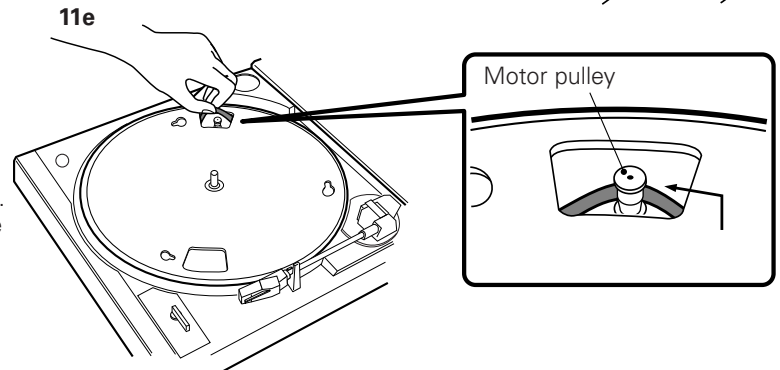
11c



11d



11e



Turntable operates, but no sound at all

1. The stylus guard is still in place.
2. The tone arm Lift button is pressed in.
3. Amplifier controls set incorrectly: wrong input selected, tape monitor on, speakers switched off, etc.
4. Check the stylus on phono cartridge for correct placement. Refer to the instructions for replacing the stylus on page 6.

Turntable operates, but no sound, or sound not loud enough

1. If the turntable is connected to an AUX (high-level) input: The Pre-amp Selector Switch may be set to the "PHONO" position (phono-input level).
2. The input gain of the amplified speaker or similar device may be too low.
3. The stylus assembly may not be fully seated in the cartridge body. (See Fig. 10 on page 6.)

Sound is very distorted

1. Turntable connected to an amplifier's PHONO input: If the pre-amp switch is set to the "LINE" position (AUX high-level output), a phono input will be overloaded.

Turntable moves slightly up and down

1. Usually this is a normal condition and not a problem. If this causes the turntable to be unable to trace the record, please contact your dealer or our service department. **Make very certain the surface upon which the turntable is resting is not picking up vibrations from the floor or walls, or from direct speaker sound.**

Tips For Better Performance

- When opening or closing the turntable cover, handle it gently, moving it either at the center or equally from both sides.
- Do not touch the stylus tip with your fingers; avoid bumping the stylus on the turntable mat or a record's edge.
- Clean the stylus tip frequently, using a soft brush **with a back-to-front motion only**.
- If you use a stylus cleaning fluid, use it **very sparingly**.
- Wipe the dust cover and turntable housing gently with a soft cloth. Use only a small amount of mild detergent solution to clean the turntable and dust cover.
- Never apply harsh chemicals or solvents to any part of the turntable system.
- Prior to moving the turntable, always unplug it from the AC outlet and fasten the tone arm on the tone arm rest with the vinyl twist-tie.

Specifications

Type	Belt drive turntable, fully automatic
Platter	Aluminum
Motor	DC servo-controlled
Speeds	33 $\frac{1}{3}$ RPM, 45 RPM
Wow and flutter	Less than 0.25% (WTD) @ 3K Hz (JIS)
Signal-to-noise ratio	50 dB
Cartridge	Integral Dual Magnet™ stereo cartridge with diamond stylus
Output level	
Pre-amp "PHONO"	2.5 mV nominal at 1 KHz, 5 cm/sec
Pre-amp "LINE"	200 mV nominal at 1 KHz, 5 cm/sec
Power	120V AC, 60 Hz, 3W
Dimensions	14.17" (360 mm) W x 3.82" (97 mm) H x 14.06" (357 mm) D
Net weight	6.6 lbs. (3 kg)
Furnished accessories	Dual RCA (female) to $\frac{1}{8}$ " (3.5 mm) mini-plug (male) stereo adapter cable; dual RCA (female) to $\frac{1}{8}$ " (3.5 mm) mini-plug (female) stereo adapter cable; USB cable; 45 RPM adapter
Replacement stylus	ATN3600L

Installation et utilisation



Attention : Pour éviter les risques d'incendie ou de choc électrique, ne pas exposer l'appareil à la pluie ou à l'humidité.



AVIS RISQUE DE CHOC ÉLECTRIQUE NE PAS OUVRIR



Pour prévenir les risques de choc électrique, ne pas ouvrir le couvercle. L'appareil ne comporte pas de pièces internes à entretenir par l'utilisateur. Les interventions internes doivent être effectuées exclusivement par des personnes qualifiées. Confiez toujours les réparations à une personne qualifiée.

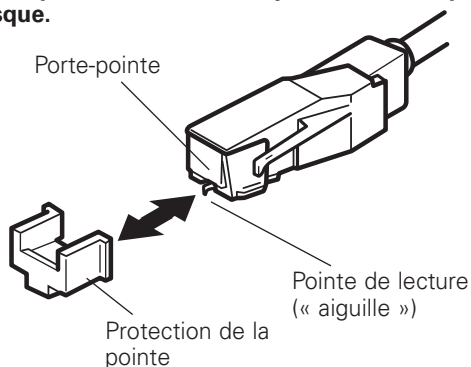


Attention : Pour éviter les risques de décharge électrique, ne pas utiliser la prise polarisée avec un cordon prolongateur, connecteur ou prise de courant à moins que la broche large puisse s'insérer facilement dans un trou de même taille.

Pour utiliser ce produit à votre meilleure satisfaction, lisez les informations et suivez les instructions données dans ce manuel. Gardez le manuel à un endroit accessible pour pouvoir le consulter aisément lorsque vous en aurez besoin.

Nous vous recommandons de garder tous les emballages pour entreposer, déplacer ou transporter l'appareil au besoin.

ATTENTION : Pour éviter les risques de dommage à la pointe de lecture, veillez à ce que la protection fournie est en place lorsque vous installez, déplacez ou nettoyez le tourne-disque.



Introduction

Merci d'avoir choisi le tourne-disque AT-LP2D-USB. Ce système d'enregistrement numérique pour microsillons vous permet de bénéficier de la légendaire qualité et de la haute fidélité Audio-Technica en transposant vos enregistrements sur vinyles dans le monde numérique. Dans cette boîte, vous trouverez tout ce qui est nécessaire pour convertir la musique de vos microsillons classiques en fichiers numériques : le tourne-disque stéréo Audio-Technica AT-LP2D-USB, muni d'une sortie USB pour une connexion directe à votre ordinateur, les logiciels d'enregistrement Cakewalk pyro (pour PC) et Audacity (pour MAC ou PC), une cellule phono Audio-Technica Integral Dual-Magnet, un câble USB et des câbles adaptateurs. Le tourne-disque est également muni d'un préamplificateur commutable phono/ligne intégré qui permet de le brancher sur un système stéréo équipé d'une sortie phono ou ligne.

Le tourne-disque stéréo AT-LP2D-USB offre les caractéristiques suivantes :

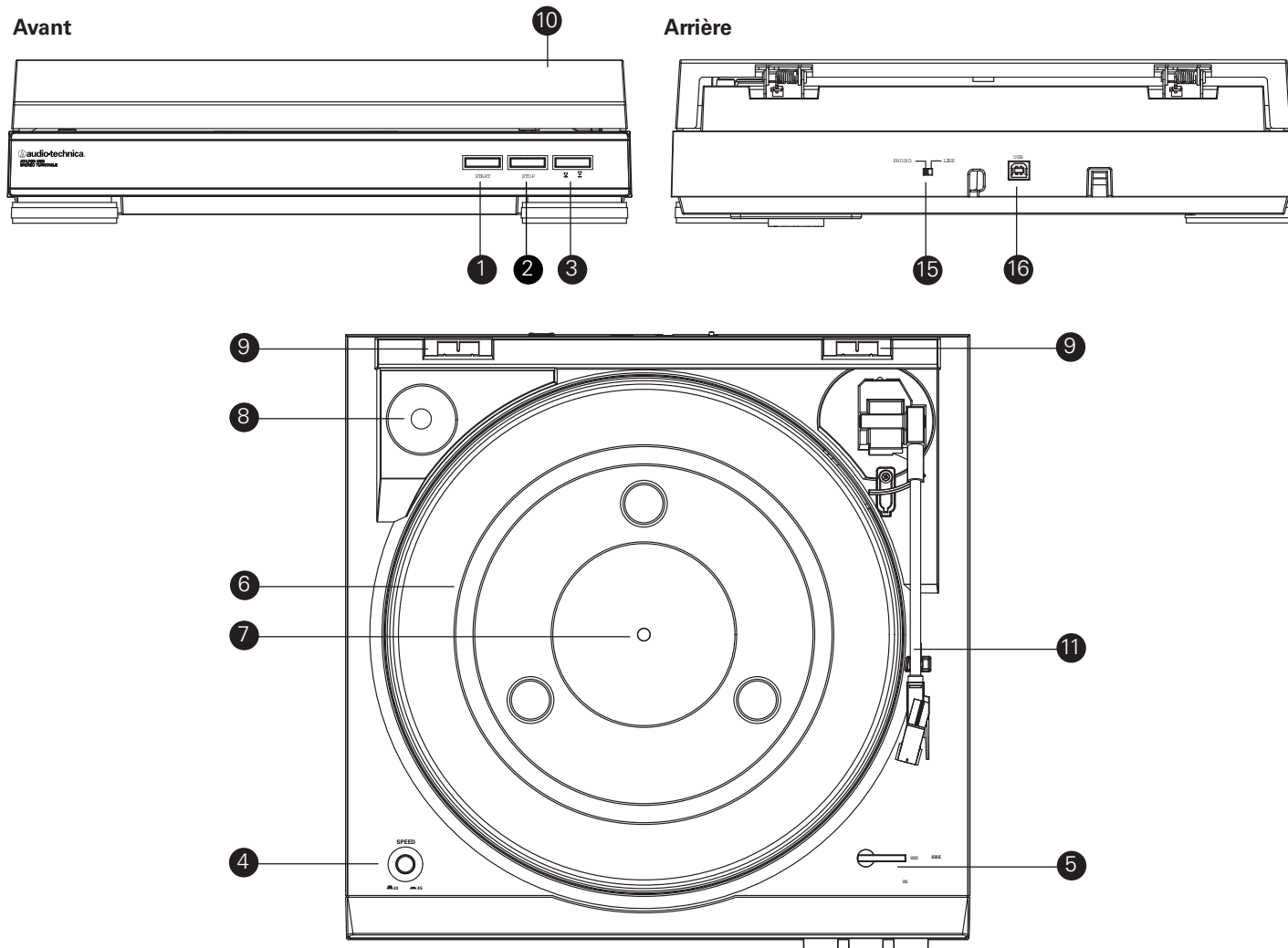
- Sortie USB - aucun gestionnaire de périphérique n'est nécessaire pour relier le tourne-disque directement à votre ordinateur
- Préamplificateur stéréo commutable phono/ligne intégré. Le tourne-disque peut ainsi être utilisé avec des systèmes stéréo disposant de sorties magnétique-phono ou « AUX » (ligne) ; emploi aisé avec la plupart des enceintes
- Compatible PC & Mac
- Fonctionnement entièrement automatique
- Deux vitesses : 33 1/3 tr/min et 45 tr/min
- Platine aluminium de qualité professionnelle
- Cellule phono Audio-Technica Integral Dual Magnet™ avec diamant de lecture remplaçable
- Mécanisme de levage/de repérage amorti avec commande sur le panneau avant
- Couvercle anti-poussière amovible

Contenu de la boîte

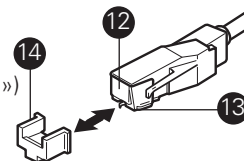
Tourne-disque AT-LP2D-USB
Couvercle anti-poussière amovible
Tapis antidérapant pour disques
Platine
Courroie d'entraînement
Adaptateur 45 tr/min
Câble USB
Câble adaptateur stéréo double RCA femelle - mini-prise 3,5 mm (1/8") mâle
Câble adaptateur stéréo double RCA femelle - mini-prise 3,5 mm (1/8") femelle
Logiciel Cakewalk pyro (pour PC seulement)
Logiciel Audacity (pour MAC ou PC)
Manuel de l'utilisateur du tourne-disque AT-LP2D-USB
Guide d'utilisation du logiciel

Commandes et éléments du tourne-disque

Figure 1 Principaux éléments



1. BOUTON DE DÉMARRAGE
Pour mettre en marche le moteur/la platine et lancer le fonctionnement en mode automatique.
2. BOUTON D'ARRÊT
Pour arrêter le moteur/la platine et faire revenir le bras de lecture à la position de repos.
3. BOUTON DE LEVAGE DU BRAS DE LECTURE
Pour lever et abaisser le bras de lecture en mode de sélection manuelle.
4. SÉLECTEUR DE VITESSE DE ROTATION DE LA PLATINE
Pour sélectionner une vitesse de rotation de 33 tr/min (bouton en position haute) ou de 45 tr/min (bouton en position basse).
5. SÉLECTEUR DE TAILLE
Pour sélectionner la taille du disque : 30 cm (12") ou 17 cm (7").
6. PLATINE
Platine aluminium montée directement sur l'axe moteur.
7. AXE CENTRAL
Partie de l'axe moteur dépassant de la platine ; pièce à usinage de précision.
8. ADAPTATEUR 45 TR/MIN (placé dans son logement sur l'illustration)
Pour maintenir autour de l'axe central les disques de 17 cm à trou large.
9. LOGEMENTS DES CHARNIÈRES DU COUVERCLE ANTI-POUSSIÈRE
Points de fixation des charnières du couvercle anti-poussière.
10. COUVERCLE ANTI-POUSSIÈRE
11. ENSEMBLE BRAS DE LECTURE/CELLULE
Le bras de lecture est fixé à demeure sur l'ensemble cellule.
12. PORTE-POINTE
13. POINTE DE LECTURE (« AIGUILLE »)
14. PROTECTION DE LA POINTE
15. SÉLECTEUR DE PRÉAMPLIFICATION (PHONO/LIGNE)
(A l'arrière du tourne-disque) Réglez le sélecteur sur PHONO lorsque vous connectez le tourne-disque sur l'entrée phono de votre chaîne stéréo. Réglez le sélecteur sur LINE (Ligne) lorsque vous connectez le tourne-disque à une entrée CD/TAPE/AUX de votre chaîne stéréo.
16. SORTIE USB
Cette sortie vous permet de connecter le tourne-disque à l'entrée USB de votre ordinateur. Consultez le guide d'utilisation du logiciel.



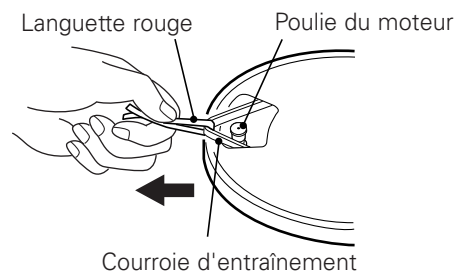
Assemblage du tourne-disque

Vous devez assembler certains éléments du tourne-disque AT-LP2D-USB avant de pouvoir vous servir de ce dernier. **IMPORTANT** : Ne branchez pas le cordon d'alimentation CA avant d'avoir terminé l'assemblage.

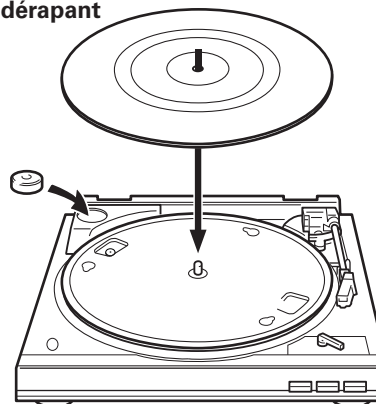
1. Placez avec précaution la platine sur l'axe central ; assurez-vous que la platine est placée correctement sur l'axe.
2. Prenez les deux extrémités de la languette rouge et tirez avec précaution sur la courroie pour la mettre en place par-dessus la poulie du moteur (fig. 2a). (Si la courroie tombe, retirez la platine et remettez la courroie en place comme décrit à la page 14.)
3. Une fois la courroie placée dans la rainure de la poulie, retirez avec précaution la languette de mise en place. Vérifiez que la courroie n'est pas tordue.
4. Placez le tapis antidérapant sur la face supérieure de la platine (fig. 2b).
5. Retirez le couvercle anti-poussière si vous le souhaitez. Pour détacher le couvercle anti-poussière du tourne-disque, prenez le couvercle des deux côtés et tirez-le vers le haut, **sans forcer et en exerçant une force égale de part et d'autre** (fig. 2c). Conservez le couvercle à l'abri dans un endroit propre.
6. Pour remettre en place le couvercle anti-poussière, guidez et insérez les charnières du couvercle dans les deux logements situés à l'arrière du boîtier du tourne-disque.

Figure 2 Assemblage du tourne-disque

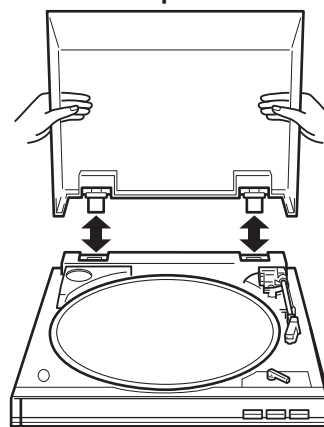
2a Courroie d'entraînement



2b Tapis antidérapant



2c Retrait du couvercle anti-poussière



Connexion à un ordinateur à entrée USB

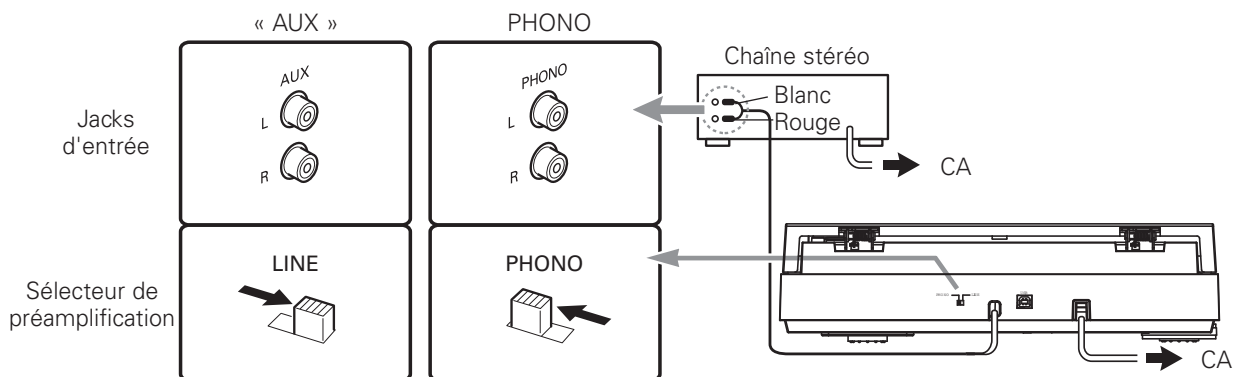
Le câble USB (fourni) vous permet de connecter le tourne-disque AT-LP2D-USB à un ordinateur sans gestionnaire de périphérie spécialisé. Avant de connecter le tourne-disque à votre ordinateur, reportez-vous au guide d'utilisation du logiciel (fourni - disponible également en ligne sur le site www.audio-technica.com).

Réglage du sélecteur de préamplification (phono/ligne)

Pour une plus grande souplesse d'utilisation, le tourne-disque est muni d'un préamplificateur stéréo phono interne. Le sélecteur de préamplification (phono/ligne) est situé à l'arrière du tourne-disque. Si votre chaîne stéréo possède une entrée PHONO, réglez le sélecteur de préamplification sur « PHONO ». Si votre chaîne ne possède pas d'entrée PHONO, réglez le sélecteur sur « LINE » (Ligne) et connectez les câbles de sortie du tourne-disque à l'entrée AUX ou à une autre entrée à niveau élevé de la chaîne (voir plus bas) (fig. 3).

REMARQUE : Si vous connectez le tourne-disque à un ordinateur à l'aide du câble USB, le réglage du sélecteur de préamplification n'a pas d'incidence sur la connexion USB ni sur le fonctionnement du tourne-disque.

Figure 3



Connexion au système stéréo

1. Branchez le connecteur RCA mâle rouge sur l'entrée du canal droit de votre chaîne ; branchez le connecteur RCA mâle blanc sur l'entrée du canal gauche (fig. 3, page 11).
2. Le bras de lecture restant immobilisé sur son support, tournez lentement la platine à la main sur dix tours **dans le sens des aiguilles d'une montre** de façon à faire effectuer un cycle complet au mécanisme automatique.
3. Retirez l'attache en vinyle maintenant le bras de lecture sur son support.
4. Branchez la fiche du cordon d'alimentation sur une prise secteur CA.
5. **REMARQUE** : Vous ne devez pas débrancher le tourne-disque de la chaîne stéréo pour la connecter à un ordinateur via un port USB. Le double branchement vous permet de surveiller les enregistrements effectués à l'aide d'un logiciel d'enregistrement. Pour plus d'informations, consultez le guide d'utilisation du logiciel.

Connexion à un ordinateur ou appareil d'écoute à connecteur d'entrée de 3,5 mm

Le tourne-disque ATLP2D-USB peut être connecté sans adaptateur aux appareils munis de connecteurs RCA. Pour une souplesse maximale, le tourne-disque est fourni avec deux câbles adaptateurs permettant le branchement sur d'autres types d'entrées courantes.

Le premier câble adaptateur (double RCA - mini-prise stéréo 3,5 mm mâle) convient à la plupart des entrées équipant couramment les ordinateurs*. Il permet également de connecter la sortie RCA du tourne-disque à d'autres équipements, tels que :

- boombox stéréo* avec mini-jack d'entrée de 3,5 mm
- haut-parleurs à alimentation autonome* avec mini-jack d'entrée de 3,5 mm
- mélangeur* ou sonorisation de salle* avec mini-jack de 3,5 mm

Le deuxième câble adaptateur (double RCA - mini-prise stéréo 3,5 mm mâle) permet de connecter le tourne-disque à des haut-parleurs amplifiés* ou des équipements similaires. Le mini-jack stéréo de 3,5 mm du câble adaptateur accepte les mini-prises stéréo. Pour utiliser les câbles adaptateurs, branchez les prises RCA rouge et blanche du tourne-disque sur les jacks RCA du câble.

*** Lorsque vous utilisez un câble adaptateur, réglez toujours le sélecteur de préamplification du tourne-disque AT-LP2D-USB sur « LINE » (Ligne). (Le sélecteur est situé à l'arrière du tourne-disque.)**

REMARQUE : Pour connecter le tourne-disque à un amplificateur/haut-parleur mono, veillez à utiliser un adaptateur stéréo-mono (disponible auprès de votre revendeur Audio-Technica ou dans les magasins d'électronique). Lorsque vous branchez une prise mono sur le jack stéréo sans adaptateur stéréo-mono, l'un des deux canaux stéréo sera désactivé. Votre revendeur Audio-Technica ou votre magasin d'électronique pourront vous fournir d'autres câbles et accessoires pour connecter le tourne-disque à des appareils nécessitant d'autres terminaisons.

Utilisation

Fonctionnement en mode automatique

1. Retirez la protection de la pointe de lecture (fig. 4).
2. Placez un disque sur la platine. Si nécessaire, utilisez l'adaptateur 45 tr/min (fig. 5).
3. Sélectionnez la taille du disque, 30 cm (12") ou 17 cm (7") (fig. 6).
4. Sélectionnez la vitesse : 33 $\frac{1}{3}$ tr/min ou 45 tr/min (fig. 7).
5. **Démarrage** : Appuyez sur le bouton Démarrage, sans forcer (fig. 8a). Le tourne-disque démarre et le bras de lecture se place automatiquement sur le sillon de départ. Lorsque la lecture du disque est terminée, le bras de lecture revient automatiquement sur son support et le tourne-disque s'arrête.
6. **Arrêt** : Pour arrêter la lecture du disque avant la fin, appuyez sur le bouton Arrêt (fig. 8b). Le bras de lecture se relève et revient sur son support, après quoi le tourne-disque s'arrête.
7. **Pause** : Pour interrompre la lecture du disque avant la fin, appuyez sur le bouton de levage du bras de lecture (fig. 8c). Appuyez à nouveau sur le bouton de levage pour poursuivre la lecture du disque.

Figure 4

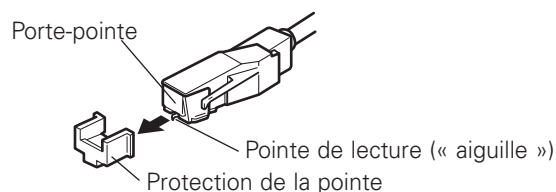
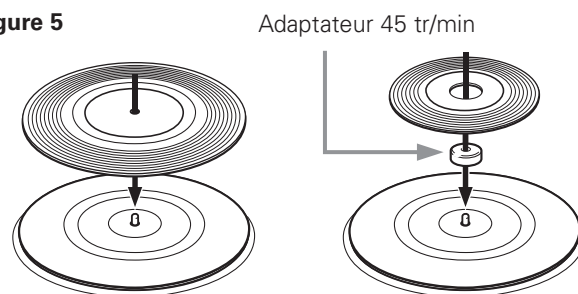


Figure 5



Attention : Lorsque le bras de lecture arrive à la fin du disque, le levage du bras et son retour sur le support sont commandés par le mécanisme automatique. Lors de cette opération, **ne tentez pas d'agir sur le mouvement du bras de lecture, au risque d'endommager le mécanisme.**

Si le bras de lecture ne revient pas automatiquement sur son support après la lecture d'un disque, il suffit d'appuyer sur le bouton Arrêt pour lever et ramener le bras.

Utilisation en mode manuel

1. Retirez la protection de la pointe de lecture (fig. 4).
2. Placez un disque sur la platine. Si nécessaire, utilisez l'adaptateur 45 tr/min (fig. 5).
3. Sélectionnez la taille du disque, 30 cm (12") ou 17 cm (7") (fig. 6).
4. Sélectionnez la vitesse : 33 1/3 tr/min ou 45 tr/min (fig. 7).
5. Pour lever le bras de lecture, appuyez sur le bouton de levage pour le mettre en position enfoncée (fig. 8c).
6. Sans forcer, déplacez le bras de lecture de façon à ce que la pointe de lecture se trouve au-dessus de l'endroit du disque où vous souhaitez commencer la lecture.
7. Appuyez à nouveau sur le bouton de levage pour abaisser le bras et commencer la lecture du disque.

Figure 6

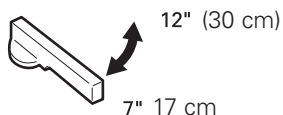


Figure 7

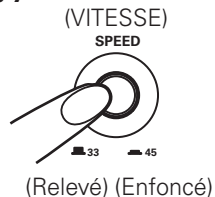
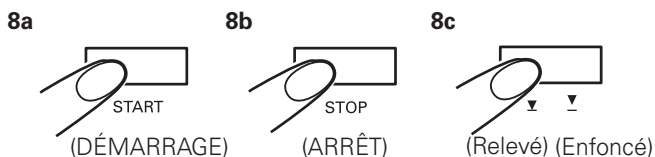


Figure 8



Remplacement de la pointe

En tenant la tête du bras de lecture, abaissez le porte-pointe et tirez dessus pour le retirer (fig. 9). (En retirant le porte-pointe, observez sa position et sentez-la des doigts de façon à pouvoir remettre plus facilement en place la nouvelle pointe.)

Installez la nouvelle pointe et son porte-pointe comme illustré aux figures 10a/10b, en veillant à ne pas toucher la pointe des doigts. Veillez **d'abord** à ce que la saillie à l'arrière du porte-pointe soit bien engagée dans la cellule (fig. 10a) ; ensuite, relevez le porte-pointe et assurez-vous qu'il s'enclique en place, sans interstice entre le bord supérieur et l'avant de la tête en plastique noir du bras de lecture (fig. 10b). Remplacez la pointe après 400 heures de lecture.

Pour conserver toutes les performances du tourne-disque à la lecture, veillez à utiliser une pointe de rechange Audio-Technica d'origine. Les pointes de rechange d'origine portent la marque Audio-Technica (AT) sur l'avant du porte-pointe et sur l'emballage.

Figure 9 Retrait de la pointe

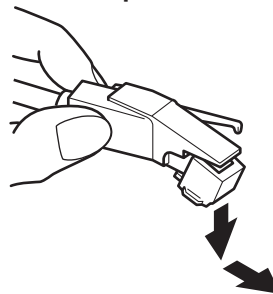
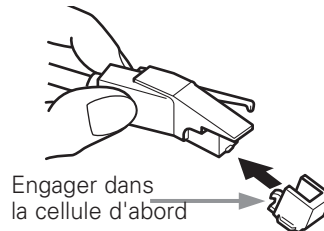
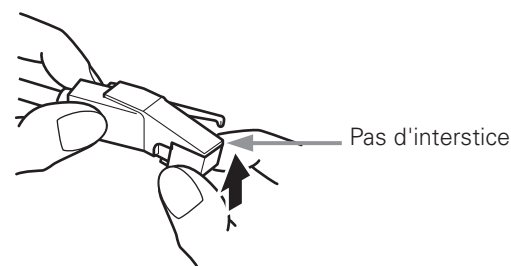


Figure 10 Mise en place d'une nouvelle pointe

10a



10b



Le tourne-disque ne fonctionne pas

1. Vérifiez que le cordon d'alimentation CA du tourne-disque est branché sur une prise secteur CA et que la prise est alimentée en courant.
2. Vérifiez que la courroie d'entraînement est correctement mise en place. (Voir figure 11.)

A) Retirez le tapis antidérapant de la platine (fig. 11a). Placez le tapis dans son emballage en carton pour le mettre à l'abri. Par un des perçages dans la platine, vérifiez que la courroie d'entraînement se trouve correctement placée sur la poulie du moteur (fig. 11b).

B) Si la courroie d'entraînement ne se trouve pas correctement placée sur la poulie : soulevez et retirez la platine. Placez un pouce dans chacun des perçages de la platine ; en appuyant des doigts sur le boîtier du tourne-disque, tirez la platine **à la verticale vers le haut** (fig. 11c). Évitez d'appuyer sur le bras de lecture.

C) Retournez la platine et placez la courroie autour du moyeu d'entraînement en veillant à ce que la courroie ne soit ni tordue ni croquée (fig. 11d).

D) Remettez la platine en place en l'engageant complètement sur l'axe central ; ensuite, amenez l'un des perçages au-dessus de la poulie du moteur.

E) En passant par le perçage, prenez la courroie par un doigt ou tirez dessus à l'aide de la languette rouge d'origine (ne vous servez **jamais** d'un objet pointu) et amenez la courroie par-dessus la poulie du moteur (fig. 11e). Veillez à ce que la courroie ne soit pas tordue entre la poulie et le moyeu de la platine.

F) Remettez le tapis antidérapant sur la platine.

G) En maintenant le bras de lecture dans sa position de repos, tournez lentement la platine à la main sur dix tours dans le sens des aiguilles d'une montre de façon à faire effectuer un cycle complet au mécanisme automatique.

Le tourne-disque fonctionne mais il n'y a pas de son

1. La protection de la pointe de lecture est restée en place.
2. Le bouton de levage du bras de lecture est enfoncé.
3. Les réglages de l'amplificateur sont incorrects : sélection de sortie erronée, contrôle d'écoute activé, haut-parleurs désactivés, etc.
4. Vérifiez si la pointe de lecture est correctement placée dans la cellule. Pour le placement de la pointe de lecture, reportez-vous aux instructions données à la page 13.

Le tourne-disque fonctionne mais il n'y a pas de son ou le volume du son est très faible

1. Si le tourne-disque est connecté à une entrée AUX (niveau élevé) : il se peut que le sélecteur de préamplification soit réglé sur « PHONO » (niveau d'entrée phono).
2. Le gain d'entrée du haut-parleur amplifié ou d'un appareil similaire peut être trop faible.
3. Il se peut que le porte-pointe ne soit pas correctement placé dans la cellule. (Voir figure 10 à la page 13.)

Distorsion importante du son

1. Si le tourne-disque est connecté à l'entrée PHONO d'un amplificateur : si le sélecteur de préamplification est réglé sur « LINE » (Line - entrée AUX de niveau élevé), l'entrée phono sera en saturation.

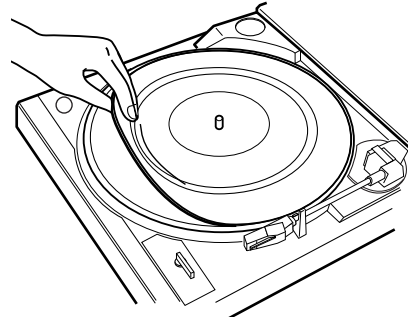
La platine oscille légèrement

1. Généralement, ce comportement est normal et ne constitue pas un problème. Si l'oscillation de la platine est telle qu'elle rend impossible la lecture du disque, veuillez vous adresser à votre revendeur ou à notre service après-vente.

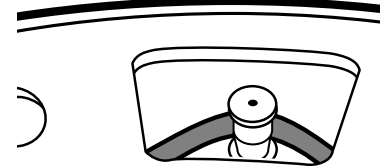
Assurez-vous de façon certaine que la surface sur laquelle se trouve le tourne-disque ne répercute pas des vibrations provenant du sol, des murs voisins ou du son diffusé directement par des haut-parleurs.

Figure 11 Vérification de la courroie d'entraînement

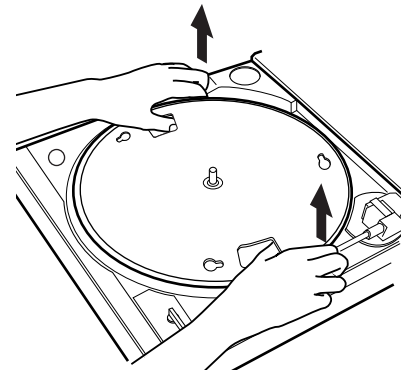
11a



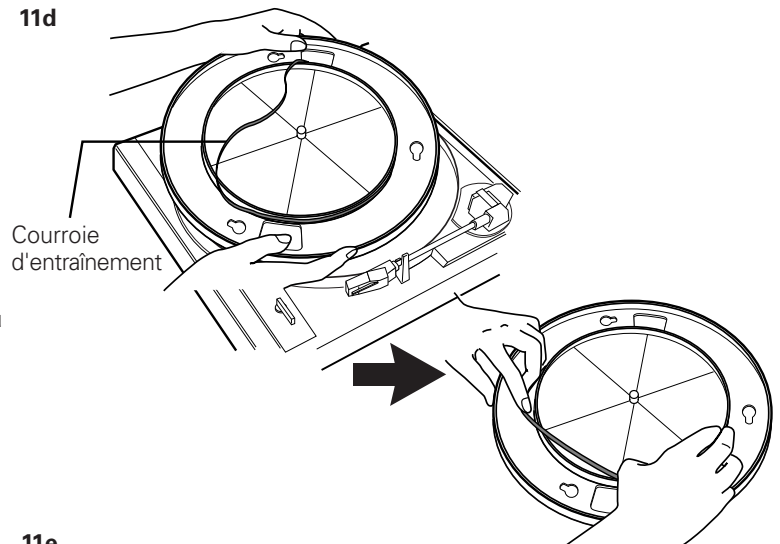
11b



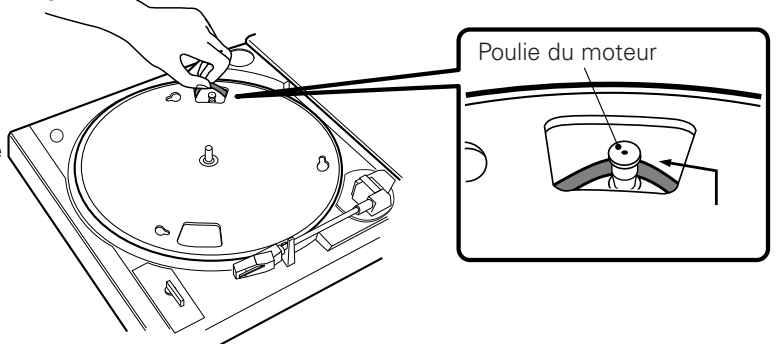
11c



11d



11e



Conseils d'optimisation des performances

- En ouvrant ou en fermant le couvercle du tourne-disque, veillez à ne pas forcer le mécanisme des charnières : prenez le couvercle par le milieu ou exercez une force égale de part et d'autre si vous le prenez par les côtés.
- Ne touchez jamais la pointe de lecture des doigts ; évitez de cogner la pointe contre le tapis antidérapant ou sur le bord du disque.
- Nettoyez fréquemment le bout de la pointe de lecture à l'aide d'une brosse douce ; **Brossez toujours et exclusivement d'arrière en avant.**
- Si vous utilisez un liquide de nettoyage pour la pointe de lecture, veillez toujours à l'utiliser **en très faible quantité.**
- Nettoyez le couvercle anti-poussière et le boîtier du tourne-disque à l'aide d'un chiffon doux, sans exercer de pression excessive. Pour nettoyer le tourne-disque et le couvercle anti-poussière, utilisez toujours une solution de détergent doux en faible quantité.
- Ne mettez jamais les éléments du tourne-disque en contact avec des produits chimiques agressifs ou des solvants.
- Avant de déplacer le tourne-disque, débranchez toujours le cordon d'alimentation de la prise secteur CA et fixez le bras de lecture sur son support à l'aide de l'attache en vinyle.

Caractéristiques techniques

Type	Tourne-disque à entraînement par courroie, entièrement automatique
Platine	Aluminium
Moteur	A servocommande CC
Vitesses	33 1/3 tr/min, 45 tr/min
Fluctuations de vitesse	Moins de 0,25 % (WTD) à 3K Hz (JIS)
Rapport signal/bruit	50 dB
Cellule	Cartouche stéréo Integral Dual Magnet™ avec pointe de lecture en diamant
Niveau de sortie	
Préamplification « PHONO »	2,5 mV nominal à 1 KHz, 5 cm/sec
Préamplification « LINE »	200 mV nominal à 1 KHz, 5 cm/sec
Puissance absorbée	120 V CA, 60 Hz, 3 W
Dimensions	L 36 cm (14,17") x H 9,7 cm (3,82") x P 35,7 cm (14,06")
Poids net	3 kg (6,6 lbs.)
Accessoires fournis	Câble adaptateur double RCA femelle - mini-prise 3,5 mm (1/8") mâle ; câble adaptateur stéréo double RCA femelle - 3,5 mm (1/8") femelle ; câble USB ; adaptateur 45 tr/min
Pointe de lecture de remplacement	ATN3600L

FR

Sistema tocadiscos estéreo automático

Instalación y funcionamiento



Advertencia: Para evitar el riesgo de incendio o descarga eléctrica, no exponga el dispositivo a la lluvia ni a la humedad.



PRECAUCIÓN
PELIGRO DE DESCARGA ELÉCTRICA
NO ABRIR



Para evitar descargas eléctricas, no retire la cubierta. En el interior no hay piezas de recambio. Los ajustes internos deben realizarlos personal cualificado solamente. Para realizar cualquier reparación, póngase en contacto con personal de servicio cualificado.

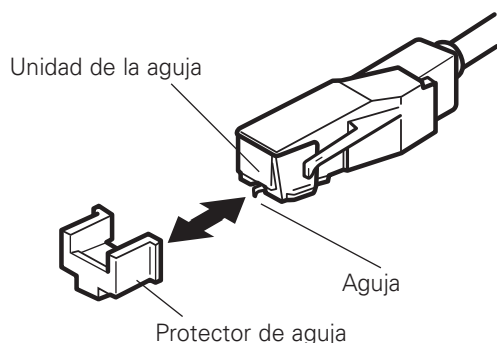


Precaución: Para evitar descargas eléctricas, no utilice un enchufe polarizado con un alargador, receptáculo o cualquier otro tipo de toma de corriente eléctrica a menos que el álabo ancho pueda insertarse fácilmente en una ranura compatible.

Para garantizar el máximo nivel de satisfacción con este producto, lea la información y siga las instrucciones de este manual. Tenga el manual a mano por si lo necesita en el futuro.

Le recomendamos que guarde todo el material de empaquetado para un posible uso en el futuro: almacenamiento, desplazamiento o envío.

PRECAUCIÓN: Para evitar daños en la aguja, asegúrese de que el protector de aguja incluido está bien colocado cuando instale, desplace o limpie el tocadiscos.



Introducción

Gracias por adquirir el AT-LP2D-USB. Audio-Technica acerca su calidad y fidelidad de audio legendarias al mundo digital a través de este sistema de grabación de LP a formato digital. En la caja encontrará todo lo que necesita para transferir su colección de discos de larga duración (LP) clásicos a archivos digitales. El tocadiscos estéreo AT-LP2D-USB de Audio-Technica incluye una salida USB, que permite la conexión directa a el ordenador, el software de grabación Cakewalk pyro (sólo para PC) y Audacity (para MAC o PC), un cartucho fonográfico Integral Dual Magnet™ de Audio-Technica, un cable USB y cables adaptadores. Además, incorpora un preamplificador de nivel fonográfico/de línea conmutable integrado que permite la conexión a un sistema estéreo equipado con una entrada de nivel fonográfico o una de nivel de línea.

Funciones del tocadiscos estéreo AT-LP2D-USB:

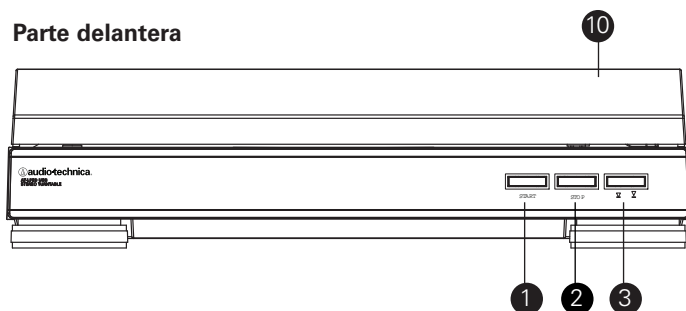
- Salida USB: no se requieren controladores especiales para la conexión directa a el ordenador
- Preamplificador de nivel fonográfico/de línea estéreo conmutable integrado. Permite el uso de sistemas estéreo que dispongan de entradas fonográficas magnéticas o "AUX" (nivel de línea), además de con la mayoría de altavoces con alimentación propia
- Compatible con PC y Mac
- Funcionamiento totalmente automático
- Dos velocidades: 33 1/3 RPM y 45 RPM
- Plato de tocadiscos profesional de aluminio
- Cartucho fonográfico con agujas de diamante reemplazables Integral Dual Magnet™ de Audio-Technica
- Mecanismo elevador/de entrada amortiguado con mando de control en el panel frontal
- Cubierta antipolvo desmontable

Contenido de la caja

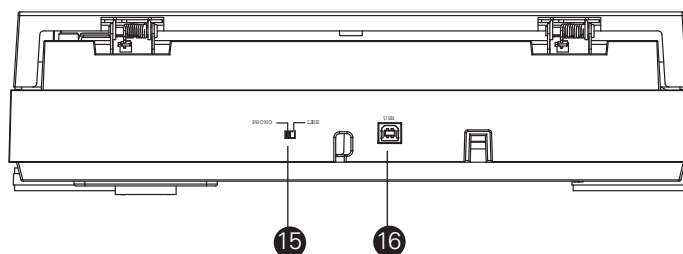
- Tocadiscos AT-LP2D-USB
- Cubierta antipolvo desmontable
- Estera
- Plato
- Correa de transmisión
- Adaptador de 45 RPM
- Cable USB
- Cable adaptador estéreo RCA doble (hembra) a mini- conector (macho) de 3,5 mm (1/8")
- Cable adaptador estéreo RCA doble (hembra) a mini- conector (hembra) de 3,5 mm (1/8")
- Software Cakewalk pyro (sólo para PC)
- Software Audacity (para MAC o PC)
- Manual del usuario del tocadiscos AT-LP2D-USB
- Guía de software

Figura 1 Funciones principales

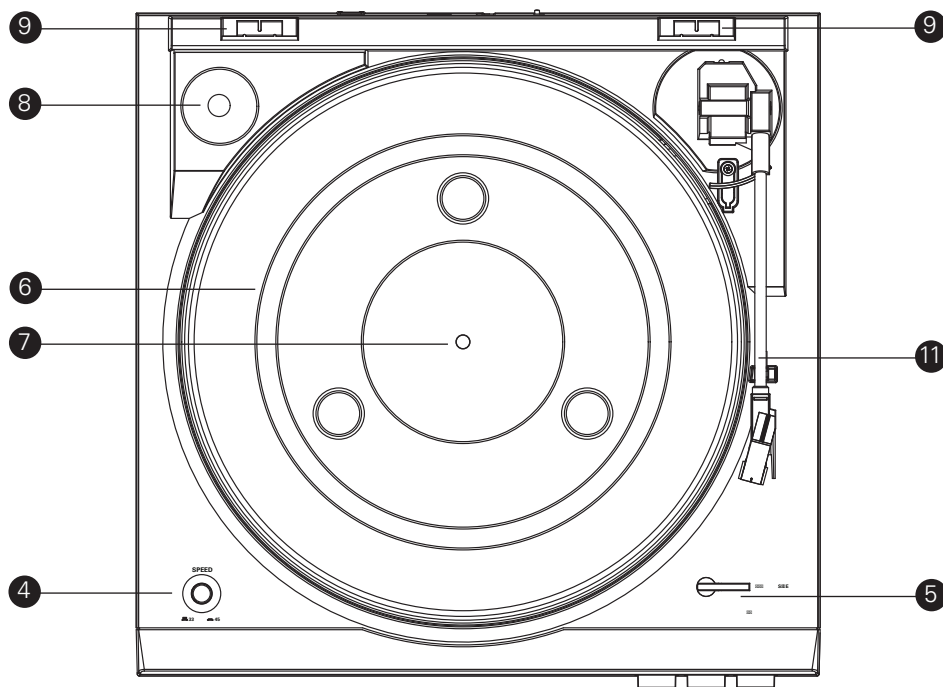
Parte delantera



Parte trasera

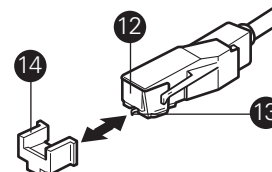


ES



1. BOTÓN START (INICIAR)
Acciona el motor/plato e inicia el funcionamiento automático.
2. BOTÓN STOP (PARAR)
Detiene el motor/plato y devuelve el brazo al soporte.
3. BOTÓN DE ELEVACIÓN DEL BRAZO DE LECTURA
Sube y baja el brazo de lectura para la selección manual.
4. BÓTON SPEED (VELOCIDAD)
Seleccione 33 RMP (botón arriba) o 45 RPM (botón abajo).
5. SELECTOR DE TAMAÑO
Seleccione el tamaño del disco: 12" o 7".
6. PLATO
El plato de aluminio se monta directamente en el eje central/eje del motor
7. EJE CENTRAL
Parte de precisión del eje del motor para montura del plato.
8. ADAPTADOR DE 45 RPM (se muestra en el receptáculo)
Adapta discos de 7" con grandes agujeros centrales para que ajusten en el eje central.

9. SOPORTES DE LAS BISAGRAS DE LA CUBIERTA ANTIPOLVO
Puntos de unión de la cubierta antipolvo abisagrada desmontable.
10. CUBIERTA ANTIPOLVO
11. UNIDAD BRAZO DE LECTURA/CABEZAL
El brazo de lectura está unido de forma permanente al cabezal.
12. UNIDAD DE LA AGUJA
13. AGUJA
14. PROTECTOR DE AGUJA
15. CONMUTADOR DEL SELECTOR DE PREAMPLIFICADOR: PHONO/LINE (FONO/LÍNEA)
(En la parte trasera del tocadiscos) Utilice PHONO (FONO) cuando conecte el tocadiscos a la entrada fonográfica de su equipo estéreo doméstico. Utilice LINE (NIVEL DE LÍNEA) cuando conecte el tocadiscos a las entradas CD/TAPE/AUX de su equipo estéreo doméstico.
16. SALIDA USB
Utilice esta salida para conectar el tocadiscos al puerto USB del ordenador. Consulte la guía de software incluida para obtener instrucciones.



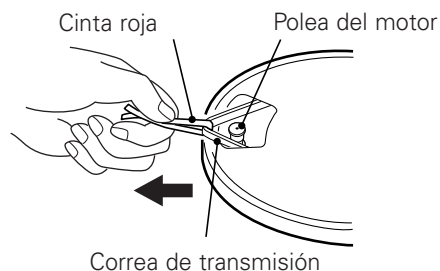
Montaje del tocadiscos

Antes de utilizar el AT-LP2D-USB por primera vez, es necesario realizar algunas tareas de montaje. **IMPORTANTE:** No conecte el cable de alimentación de CA hasta que finalice el montaje.

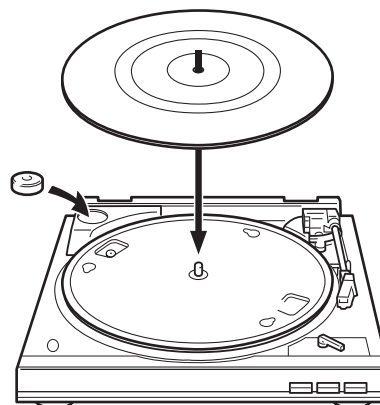
1. Coloque con cuidado el plato del tocadiscos en el eje central; asegúrese de que queda totalmente encajado.
2. Sujete ambos extremos de la cinta roja sobre la correa del tocadiscos y colóquela con cuidado alrededor de la polea del motor (Fig. 2a). (Si la correa se sale, retire el plato del tocadiscos y vuelva a colocarla tal y como se describe en la página 21.)
3. Cuando la correa esté encajada en la ranura de la polea, retire con cuidado la cinta. Asegúrese de que la correa no está retorcida.
4. Sitúe la estera del tocadiscos en la parte superior del plato (Fig. 2b).
5. Si lo desea, puede retirar la cubierta antipolvo abisagrada. Sujétela por ambos lados y tire hacia arriba **con delicadeza y sin ladearla** para separarla del tocadiscos (Fig. 2c). Guarde la cubierta en un lugar seguro y limpio.
6. Para volver a colocar la cubierta antipolvo, sitúe las bisagras en los dos receptáculos situados en la parte trasera de la carcasa del tocadiscos.

Figura 2 Montaje del tocadiscos

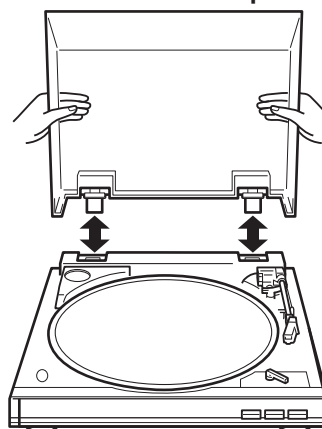
2a Correa de transmisión



2b Estera



2c Desinstalación de la cubierta antipolvo



Conexión a ordenadores mediante la entrada USB

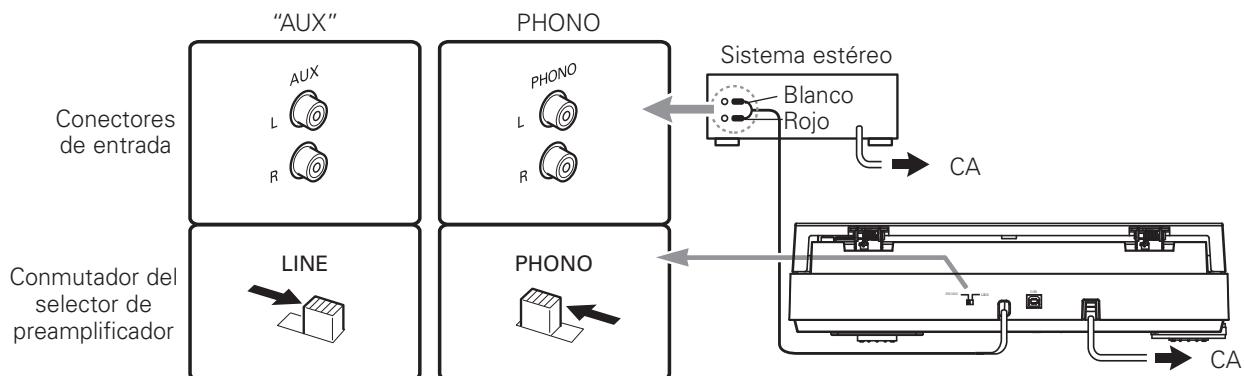
El cable USB (incluido) conecta el tocadiscos AT-LP2D-USB al ordenador sin necesidad de utilizar controladores especiales. Consulte la guía de software incluida (también disponible en línea en www.audio-technica.com) antes de conectar el tocadiscos al ordenador.

Ajuste del conmutador (Phono/Line) de preamplificador

Para aumentar la flexibilidad de uso, este tocadiscos dispone de un preamplificador fonográfico estéreo interno. El conmutador (Phono/Line) del selector de preamplificador está situado en la parte trasera del tocadiscos. Si el sistema estéreo que está utilizando dispone de entrada PHONO, sitúe el conmutador del selector de preamplificador en la posición "PHONO" (FONO). Si el sistema estéreo que está utilizando no dispone de una entrada PHONO, sitúe el conmutador del selector de preamplificador en la posición "LINE" (LÍNEA) y conecte los cables de salida del tocadiscos a la entrada AUX (Auxiliar) o a otra entrada de nivel superior de su sistema estéreo (se describe más adelante) (Fig. 3).

NOTA: Si está utilizando el cable USB para conectar el tocadiscos al ordenador, el ajuste del conmutador del selector de preamplificador no afecta al funcionamiento a través de USB.

Figura 3



Conexión al sistema estéreo

1. Enchufe el conector RCA rojo a la entrada del canal derecho y el conector RCA blanco a la entrada del canal izquierdo de su equipo estéreo (Fig. 3, página 18).
2. Con el brazo lectura en su soporte, gire lentamente el plato del tocadiscos **en el sentido de la agujas del reloj** diez veces para asegurarse de que el mecanismo automático se ha iniciado.
3. Retire el amarre de vinilo que mantiene el brazo de lectura en su soporte.
4. Enchufe el cable de alimentación a una toma de CA.
5. **NOTA:** No es necesario que desconecte el tocadiscos del sistema estéreo para conectarlo a un ordenador a través del puerto USB. Esto le permitirá supervisar sus grabaciones cuando utilice el software de grabación. Para obtener más información, consulte la guía de software.

Conexión de ordenadores o dispositivos de audio mediante la entrada de 3,5 mm

El AT-LP2D-USB se conecta sin adaptadores a dispositivos equipados con conectores RCA. Para que disponga de la máxima flexibilidad, hemos incluido dos cables adaptadores para otras entradas de audio muy utilizadas.

El primero de estos cables adaptadores, RCA doble a miniconector (macho) de 3,5 mm estéreo, está diseñado para ajustarse a las entradas de audio de ordenadores* más habituales. También puede utilizarse para conectar la salida RCA del tocadiscos a otro equipo, por ejemplo:

- Un radiocasete* estéreo equipado con una entrada mini de 3,5 mm
- Altavoces con alimentación propia* equipados con una entrada mini de 3,5 mm
- Un mezclador* o sistema de megafonía* equipado con un miniconector de 3,5 mm

El segundo cable adaptador, RCA dual a miniconector (hembra) de 3,5 mm estéreo, permite la conexión de la salida del tocadiscos a altavoces amplificados* o a dispositivos similares. El miniconector (hembra) estéreo de 3,5 mm del adaptador de cables admite miniconectores (macho) estéreo. Para utilizar cualquiera de los cables adaptadores, enchufe los conectores RCA rojo y blanco del tocadiscos a las tomas RCA del cable adaptador.

*** Cuando utilice uno de los cables adaptadores, sitúe siempre el conmutador del selector de preamplificador del tocadiscos AT-LP2D-USB en la posición "LINE" (LÍNEA). (El conmutador está situado en la parte trasera del tocadiscos.)**

NOTA: Si desea realizar una conexión a un amplificador/altavoz mono, asegúrese de que utiliza un adaptador estéreo a mono; podrá encontrarlo a través de su distribuidor o en la tienda de electrónica más cercana. Si inserta un conector mono a la toma estéreo, se anulará uno de los canales estéreo. Para realizar conexiones a dispositivos que necesiten terminaciones distintas, póngase en contacto con un distribuidor o visite una tienda de electrónica para conseguir otros tipos de cables adaptadores.

Funcionamiento:

Funcionamiento automático

1. Retire el protector de aguja de la unidad de la aguja (Fig. 4).
2. Ponga un disco en el tocadiscos. Si fuera necesario, utilice el adaptador de 45 RPM (Fig. 5).
3. Seleccione el tamaño del disco: 12" o 7" (Fig. 6).
4. Seleccione la velocidad: 33 1/3 RPM o 45 RPM (Fig. 7).
5. **Inicio:** pulse suavemente el botón START (INICIAR) (Fig. 8a). El tocadiscos comenzará a girar y el brazo de lectura se colocará automáticamente en el surco inicial. Cuando finalice la reproducción del disco, el brazo de lectura volverá automáticamente al soporte y el tocadiscos se detendrá.
6. **Parada:** para detener la reproducción del disco antes de que llegue al final, pulse el botón STOP (PARAR) (Fig. 8b). El brazo de lectura se elevará y volverá al soporte, y el tocadiscos se detendrá.
7. **Pausa:** para interrumpir la reproducción del disco antes de que finalice, pulse el botón de elevación (Fig. 8c). Vuelva a pulsarlo para continuar la reproducción del disco.

Figura 4

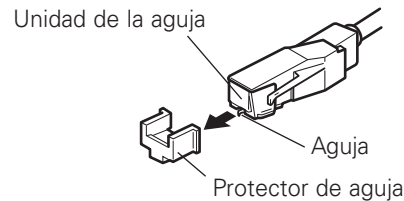
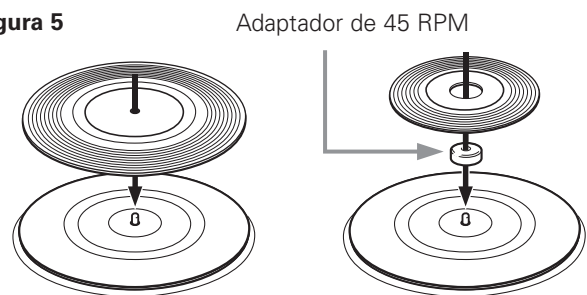


Figura 5



Precaución: Cuando el brazo de lectura alcanza el final del disco, se levanta y vuelve al soporte de forma automática. En esta situación, **no interfiera con el movimiento del brazo de lectura o pueden producirse daños en el mecanismo.**

Si el brazo de lectura no vuelve automáticamente al soporte una vez finalizada la reproducción del disco, pulse el botón STOP (PARAR).

Funcionamiento manual

1. Retire el protector de aguja de la unidad de la aguja (Fig. 4).
2. Ponga un disco en el tocadiscos. Si fuera necesario, utilice el adaptador de 45 RPM (Fig. 5).
3. Seleccione el tamaño del disco: 12" o 7" (Fig. 6).
4. Seleccione la velocidad: 33 1/3 RPM o 45 RPM (Fig. 7).
5. Pulse el botón de elevación para levantar el brazo de lectura (Fig. 8c).
6. Desplace suavemente el brazo de lectura de manera que la aguja se sitúe justo sobre el punto del disco donde desea que se inicie la reproducción.
7. Pulse el botón de elevación de nuevo para bajar el brazo de lectura y reproducir el disco.

Figura 6

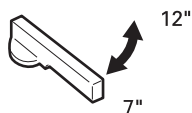


Figura 7

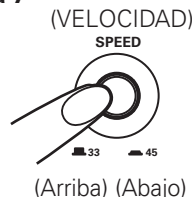
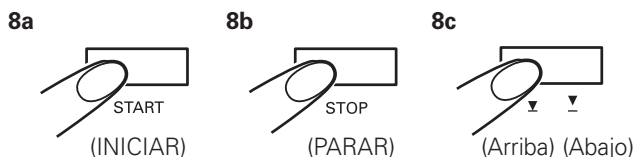


Figura 8



Sustitución de la aguja

Sujete el cabezal del brazo de lectura y gire la parte frontal de la unidad de la aguja con un movimiento hacia delante y hacia abajo hasta retirarla (Fig. 9). (Cuando retire la unidad antigua, fíjese en su posición y observe cómo está instalada; eso le ayudará a instalar la nueva.)

Instale la nueva unidad de la aguja como se muestra en las Figuras 10a/10b, teniendo cuidado de no tocar la propia aguja. **En primer lugar** asegúrese de que el saliente de la parte posterior de la unidad está totalmente encajado en el cuerpo del cartucho (Fig. 10a), y que la unidad entra perfectamente (oírás un "clic"), sin que quede ningún espacio entre su borde superior y la parte frontal del cabezal negro de plástico del brazo de lectura (Fig. 10b). Sustituya la aguja tras 400 horas de uso.

Para mantener el rendimiento original, utilice siempre una aguja de repuesto genuina de la marca Audio-Technica. Busque el distintivo de marca registrada de Audio-Technica (AT) en la parte frontal de la unidad de la aguja y en el embalaje.

Figura 9 Cómo retirar la aguja

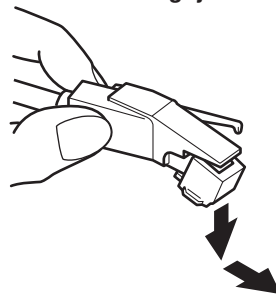
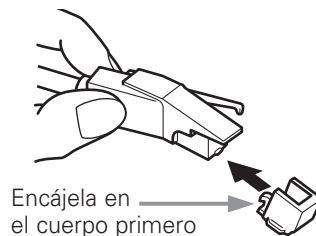
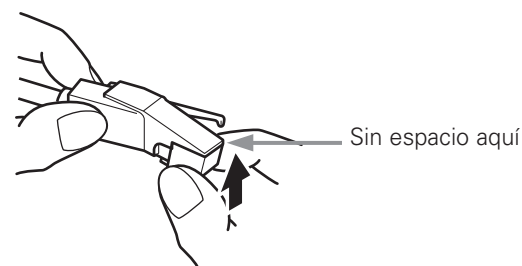


Figura 10 Instalación de una nueva aguja

10a



10b



El tocadiscos no funciona

1. Asegúrese de que el cable de CA del tocadiscos está enchufado en la toma de CA, y que ésta suministra corriente.
2. Compruebe que la correa de transmisión está colocada correctamente. (Véase la Figura 11.)

A) Retire la estera del plato del tocadiscos (Fig. 11a). Para mantenerla protegida, coloque la estera en la funda del estuche de cartón. Mire a través de uno de los orificios del plato del tocadiscos para comprobar que la correa pasa por la polea del motor (Fig. 11b).

B) Si la correa no pasa por la polea del motor, levante y retire el tocadiscos. Sitúe un pulgar en cada uno de los orificios del plato del tocadiscos y, a continuación, presione con los dedos la superficie de la carcasa del tocadiscos y tire del plato **hacia arriba** (Fig. 11c). Tenga cuidado de no hacer presión sobre el brazo de lectura.

C) Con el plato del tocadiscos boca arriba, coloque la correa a lo largo de la pared exterior del borde del transmisor del plato del tocadiscos y asegúrese de que queda cómodamente alojada y plana por todos lados (Fig. 11d).

D) Vuelva a colocar el tocadiscos en el eje central, de forma que quede bien encajado, y alinee uno de sus orificios con la posición de la polea del motor.

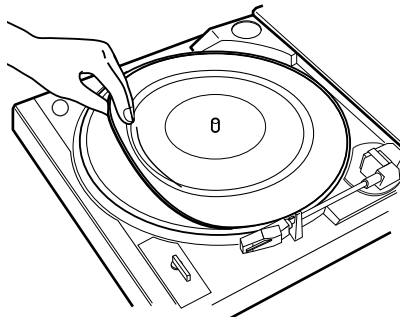
E) A través del orificio, agarre con cuidado la correa del tocadiscos con un dedo o con la cinta roja original (**nunca** utilice un objeto afilado) y pase la correa por la polea del motor (Fig. 11e). Compruebe que la correa no queda retorcida entre la polea y el borde del transmisor del plato.

F) Vuelva a colocar la estera sobre el plato.

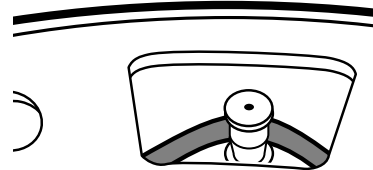
G) Manteniendo el brazo de lectura en su soporte, gire lentamente el plato con la mano en el sentido de las agujas del reloj al menos diez veces para iniciar el ciclo automático del mecanismo.

Figura 11 Comprobación de la correa de transmisión

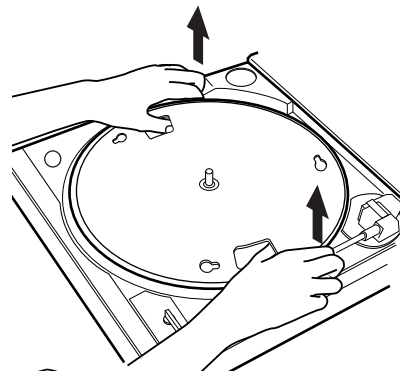
11a



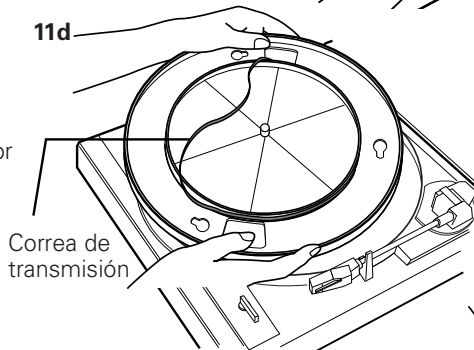
11b



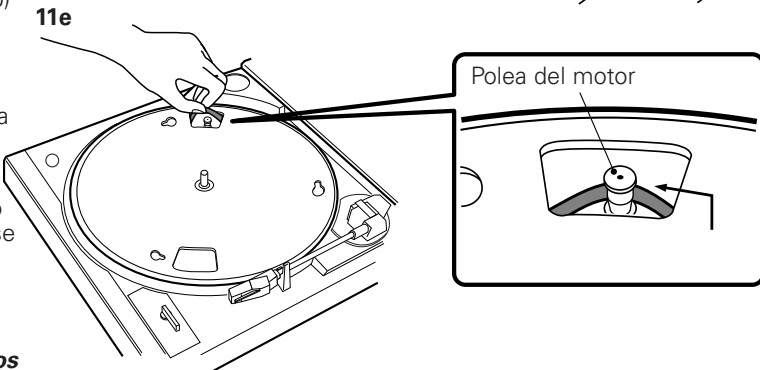
11c



11d



11e



El tocadiscos funciona, pero no suena

1. No ha retirado el protector de aguja.
2. El botón de elevación del brazo de lectura está pulsado.
3. Los controles del amplificador están definidos de forma incorrecta: la entrada seleccionada no es correcta, el monitor de cinta está activado, los altavoces desactivados, etc.
4. Compruebe que la aguja del cartucho fonográfico está bien colocada. Consulte las instrucciones para la sustitución de la aguja en la página 20.

El tocadiscos funciona, pero no suena, o lo hace a un volumen bajo

1. Si el tocadiscos está conectado a una entrada AUX (nivel superior), es posible que el conmutador del selector de preamplificador esté en la posición "PHONO" (FONO) (nivel de entrada fonográfica).
2. Puede que la ganancia de entrada del altavoz amplificado o dispositivo similar sea demasiado baja.
3. Es posible que la unidad de la aguja no esté bien encajada en el cuerpo del cartucho. (Véase la Fig. 10 en la página 20)

El sonido está muy distorsionado

1. El tocadiscos está conectado a la entrada PHONO de un amplificador: si el conmutador del preamplificador está en la posición "LINE" (salida de alto nivel AUX), la entrada fonográfica estará sobrecargada.

El tocadiscos se mueve ligeramente arriba y abajo

1. Normalmente se trata de un funcionamiento normal y no de un problema. Si por esta causa el tocadiscos no pudiese reproducir el disco correctamente, póngase en contacto con su distribuidor o con nuestro Departamento de Servicio. **Compruebe que la superficie sobre la que reposa el tocadiscos no recoge las vibraciones del suelo o las paredes, o incluso del sonido directo de los altavoces.**

Consejos para un mejor rendimiento

- Cuando abra o cierre la cubierta del tocadiscos, hágalo con suavidad; desplácela por el centro o de forma homogénea por ambos lados.
- No toque la punta de la aguja con los dedos; evite golpear la aguja contra la estera o contra el borde del disco.
- Limpie la punta de la aguja con frecuencia. Utilice un cepillo suave y realice **solamente movimientos de atrás hacia delante**.
- Si utiliza un líquido de limpieza de agujas, hágalo en cantidades **mínimas**.
- Limpie la cubierta antipolvo y la carcasa del tocadiscos con cuidado y utilice un paño suave. Utilice sólo pequeñas cantidades de solución detergente suave para limpiar el tocadiscos y la cubierta antipolvo.
- No aplique nunca productos químicos ni disolventes fuertes a ninguno de los componentes del sistema tocadiscos.
- Antes de desplazar el tocadiscos, desenchúfelo siempre de la toma de CA y fije el brazo de lectura al soporte con el amarre de vinilo.

Especificaciones

Tipo	Tocadiscos de transmisión por correa, completamente automático
Plato	Aluminio
Motor	Servocontrolado de CC
Velocidades	33 1/8 RPM, 45 RPM
Llora y trémolo	Menos del 0,25% (WTD) a 3K Hz (JIS)
Relación señal/ruido	50 dB
Cartucho	Cartucho estéreo Integral Dual Magnet™ con agujas de diamante
Nivel de salida	
Preamplificador "PHONO" (FONO)	2,5 mV nominal a 1 KHz, 5 cm/seg
Preamplificador "LINE" (LÍNEA)	200 mV nominal a 1 KHz, 5 cm/seg
Alimentación	120 V CA, 60 Hz, 3 W
Dimensiones	360 mm (14,17") Ancho x 97 mm (3,82") Alto x 357 mm (14,06") Profundidad
Peso neto	3 kg (6,6 lbs)
Accesorios incluidos	Cable adaptador estéreo RCA doble (hembra) a miniconector (macho) de 3,5 mm (1/8"); cable adaptador estéreo RCA doble (hembra) a miniconector (hembra) de 3,5 mm (1/8"); cable USB; adaptador de 45 RPM
Aguja de repuesto	ATN3600L

Visit our Web Site: www.audio-technica.com

One-Year Limited Warranty

Audio-Technica brand products purchased in the U.S.A. are warranted for one year from date of purchase by Audio-Technica U.S., Inc. (A.T.U.S.) to be free of defects in materials and workmanship. In event of such defect, product will be repaired promptly without charge or, at our option, replaced with a new product of equal or superior value if delivered to A.T.U.S. or an Authorized Service Center, prepaid, together with the sales slip or other proof of purchase date. **Prior approval from A.T.U.S. is required for return.** This warranty excludes defects due to normal wear, abuse, shipping damage, or failure to use product in accordance with instructions. This warranty is void in the event of unauthorized repair or modification, or removal or defacing of the product labeling.

For return approval and shipping information, contact the Service Dept., Audio-Technica U.S., Inc., 1221 Commerce Drive, Stow, Ohio 44224.

Except to the extent precluded by applicable state law, **A.T.U.S. will have no liability for any consequential, incidental, or special damages; any warranty of merchantability or fitness for particular purpose expires when this warranty expires.**

This warranty gives you specific legal rights, and you may have other rights which vary from state to state.

Outside the U.S.A., please contact your local dealer for warranty details.

Visitez notre site web : www.audio-technica.com

Garantie limitée de 1 an

Les produits de la marque Audio-Technica achetés aux États-Unis sont garantis pendant un an à compter de la date d'achat contre tout défaut de matériau et de fabrication par Audio-Technica U.S., Inc. (A.T.U.S.). Dans l'éventualité d'un tel défaut, le produit sera soit réparé gratuitement et dans les plus brefs délais, soit remplacé à notre convenance par un nouveau produit d'une valeur égale ou supérieure. Le produit doit être retourné en port payé à A.T.U.S. ou à un centre agréé de service après-vente avec un ticket de caisse ou autre preuve de la date d'achat. **Le renvoi ne peut avoir lieu sans l'accord préalable de A.T.U.S.** Cette garantie exclut les défauts liés à une usure normale, à un usage abusif, à tout incident survenu lors du transport ou à une utilisation non conforme au mode d'emploi. Cette garantie n'est pas valable en cas de réparation ou de modification effectuée par un personnel non agréé ou dans le cas où la marque du produit aurait été enlevée ou abîmée.

Pour obtenir notre accord pour le retour et pour tout renseignement concernant le transport, veuillez prendre contact avec le département de service après-vente, Audio-Technica U.S., Inc., 1221 Commerce Drive, Stow, Ohio 44224.

A.T.U.S. ne sera pas tenu responsable des dommages indirects, accessoires ou spéciaux à moins que la loi applicable de l'État n'en dispose autrement ; **lorsque cette garantie expire, toute garantie de valeur marchande ou d'aptitude à un usage particulier expire.**

Cette garantie vous confère des droits spécifiques ; il se peut par ailleurs que vous ayez d'autres droits qui varient d'un État à l'autre.

En dehors des États-Unis, veuillez prendre contact avec votre revendeur local pour plus de détails concernant la garantie.

Visite nuestro sitio Web: www.audio-technica.com

Garantía limitada de un año

Audio-Technica U.S., Inc. (A.T.U.S.) ofrece una garantía de un año desde la fecha de compra en lo que se refiere a materiales y fabricación para todos los productos de la marca Audio-Technica adquiridos en Estados Unidos. En caso de que tenga algún defecto, el producto será reparado inmediatamente sin cargo alguno o, según nuestro criterio, reemplazado por uno nuevo de valor igual o superior, si se envía a A.T.U.S. o a un Centro de Servicio autorizado, franqueado y junto con el recibo de compra u otro comprobante de la fecha de compra. **Toda devolución requiere la autorización previa de A.T.U.S.** Esta garantía excluye defectos debidos al uso diario, al uso inapropiado, al transporte o a otros problemas que se produzcan por no utilizar el producto según las instrucciones. Esta garantía no será válida en caso de reparaciones o modificaciones no autorizadas o si se ha retirado la identificación del producto.

Para aprobación de devoluciones e información de envío, póngase en contacto con el Departamento de Servicio de Audio-Technica U.S., Inc., 1221 Commerce Drive, Stow, Ohio 44224 (EE. UU.).

En la medida en que lo permita la ley aplicable del estado, **A.T.U.S. renuncia a toda responsabilidad por los daños especiales, incidentales, consecuentes o indirectos comoquiera que se produzcan; toda garantía de comerciabilidad e idoneidad para un fin determinado caduca al hacerlo esta garantía.**

Esta garantía le otorga a usted derechos legales específicos y puede tener otros derechos que varían de un estado a otro.

Fuera de Estados Unidos, póngase en contacto con su distribuidor local para conocer los detalles de la garantía.



Audio-Technica U.S., Inc., 1221 Commerce Drive, Stow, Ohio 44224 330/686-2600 www.audio-technica.com

P52053 ©2008 Audio-Technica U.S., Inc. Printed in China Imprimé en Chine Impreso en China