

U857QU & U857QLU

UniLine® Condenser Quick-Mount Gooseneck Microphones

uni-point® microphones



Features

- **Quick-mount design with 3-pin XLRM-type connector insert at base plugs into any standard XLR-type surface or cable connector**
- **UniLine® polar pattern provides narrow 90° acceptance angle**
- **Superior off-axis rejection for maximum gain before feedback**
- **UniGuard® RFI-shielding technology offers outstanding rejection of radio frequency interference (RFI)**
- **Easy-to-adjust, rugged, small-diameter, alternating gooseneck with virtually no “memory” permits quick positioning into desired shape**
- **UniSteep® filter provides a steep low-frequency attenuation to improve sound pickup without affecting voice quality**
- **Available interchangeable elements permit angle of acceptance from 90° to 360°**
- **Included shock mount attenuates noise, shock and vibration transmitted through the mounting surface**

Description

The U857QU is a wide-range condenser microphone with a UniLine® (line cardioid) polar pattern. It is designed for quality sound reinforcement, professional recording, television and other demanding sound pickup applications.

The small-diameter double gooseneck design permits highly flexible positioning while maintaining a smooth, well-contoured appearance. The U857QU stands 487.0 mm (19.17") from the table or podium; it is also available in a 603.0 mm (23.74") version as U857QLU. The two models are identical in all other respects.

The microphone requires 11V to 52V phantom power for operation.

The microphone is equipped with UniGuard® RFI-shielding technology, which offers outstanding rejection of radio frequency interference (RFI).

The microphone's UniLine® (line cardioid) polar pattern provides a 90° angle of acceptance. Additional interchangeable elements with omnidirectional (360°), cardioid (120°) and hypercardioid (100°) pickup patterns are available.

An XLRM-type connector insert at the base allows the microphone to be plugged directly into an XLR-type panel jack or microphone cable.

A recessed switch permits choice of flat response or low-frequency roll-off (via integral 80 Hz high-pass UniSteep® filter) to help control undesired ambient noise.

The microphone comes equipped with a two-stage foam windscreen

and a shock mount designed to attenuate noise, shock and vibration transmitted through the mounting surface. The microphone is enclosed in a rugged housing with a low-reflectance black finish.

Installation and Operation

The U857QU requires 11V to 52V phantom power for operation.

Output is low impedance (Lo-Z) balanced. The signal appears across Pins 2 and 3; Pin 1 is ground (shield). Output phase is “Pin 2 hot”—positive acoustic pressure produces positive voltage at Pin 2.

The microphone can be mounted in a permanent installation (on a lectern, pulpit, conference table or similar surface) with the included AT8662 shock mount. The AT8662 effectively isolates the microphone from noise, shock and vibration transmitted through the mounting surface and eliminates pickup of low-frequency resonances caused by mechanical coupling.

The provided two-stage foam windscreen simply slips over the head of the microphone, effectively reducing wind noise or popping.

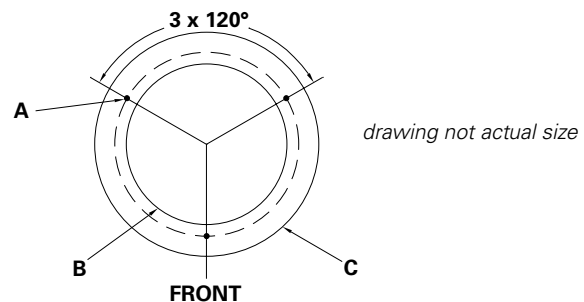
An integral 80 Hz high-pass UniSteep® filter provides easy switching from a flat frequency response to a low-end roll-off. The roll-off position reduces the microphone's sensitivity to popping in close vocal use. It also reduces the pickup of low-frequency ambient noise (such as traffic, air-handling systems, etc.), room reverberation and mechanically coupled vibrations. To engage the UniSteep® filter, use the end tip of a paperclip or other small pointed instrument to slide the switch toward the “bent” line.

Avoid leaving the microphone in the open sun or in areas where temperatures exceed 110° F (43° C) for extended periods. Extremely high humidity should also be avoided.

AT8662 Shock Mount Installation Instructions

Mounting Dimensions

- 1.5 mm (1/16") pilot holes 3 places on 58.2 mm (2.29") circle.
- 51.0 mm (2.0") through-hole for mount clearance
- Outside edge of flange, 71.0 mm (2.79") diameter



1. Find the center of the mounting location and mark it. Allow enough clearance to accommodate the shock mount's flange on the surface and make certain there are no physical obstructions below the desired location.
2. Using 51.0 mm (2.0") hole saw, drill the large through-hole for the shock mount.
3. Set the shock mount into the hole and mark the location of the three mounting screw holes. Make certain to “center” the mount in the large hole before marking the three small mounting screw locations.
4. Using a 1.5 mm (1/16") drill bit, drill three pilot holes for the mounting screws.
5. After installing the microphone, assure maximum shock mounting effectiveness by providing some slack in the connecting cable.

