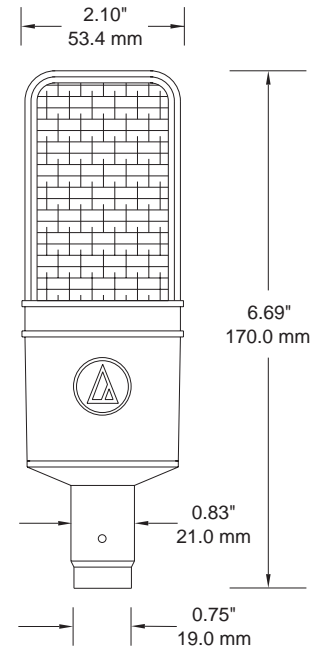




AT4033/SE



AT4033/SE SPECIFICATIONS

ELEMENT	Fixed-charge back-plate permanently polarized capacitor
POLAR PATTERN	Cardioid (Unidirectional)
FREQUENCY RESPONSE	30-20,000 Hz
OPEN CIRCUIT SENSITIVITY (1 KHZ)	-32 dB (25.1 mV) \pm 2 dB, re 1V @ 1 Pa*1
IMPEDANCE	100 ohms
MAXIMUM INPUT SOUND LEVEL	145 dB SPL, 1 kHz @ 1% T.H.D. 155 dB SPL, with 10 dB pad (nominal)
NOISE, TYPICAL (A-WEIGHTED)2	17 dB SPL
DYNAMIC RANGE, TYPICAL	128 dB, 1 kHz at Max SPL
SIGNAL-TO-NOISE RATIO, TYPICAL	77 dB, 1 kHz at 1 Pa*
HI-PASS FILTER (LOW-END ROLL-OFF)	80 Hz, 12 dB/octave
POWER REQUIREMENTS	48V DC phantom (\pm 4V)
CURRENT CONSUMPTION, TYPICAL	3.2 mA
WEIGHT (LESS CABLE & CLAMP)	13.4 oz (380 grams)
DIMENSIONS	6.69" (170.0 mm) long, 2.10" (53.4 mm) maximum body diameter
ACCESSORIES FURNISHED	AT8449 shock mount for 5/8"- 27 threaded stands; wooden case; microphone dust cover.
OPTIONAL ACCESSORIES	AT8137 large cylindrical foam windscreens. AT8314 2-conductor, shielded vinyl-jacketed, broadcast-type cable with XLR-type connector at microphone end, XLRM-type connector at equipment end. Available in 10', 20', 25', 30', 50' & 100' LENGTHS. AT8430 stand clamp for 5/8"-27 threaded stands. CP8506 four-channel 48V phantom power supply (AC powered). AT8801 single-channel 48V phantom power supply (AC powered).

* 1 Pascal = 10 dynes/cm² = 10 microbars = 94 dB SPL

