



Live Sound

audio-technica

Live Sound

Vocal Microphones	2
Artist Elite™	
Artist Series	
20 Series	
Pro Series	
Instrument Microphones	12
Artist Elite™	
Artist Series	
Pro Series	
Wireless Systems	32
In-Ear Monitor Headphones	50
DJ Products	52

Vocal Microphones



Audio-Technica's Live Sound microphones have been tasked with reproducing some of the greatest voices in the music industry, from pop superstars to operatic heavyweights. With offerings such as the AE5400 cardioid condenser — the ultimate handheld vocal mic that utilises the same large-diaphragm element as the renowned AT4050 studio mic — along with an array of high-performance vocal mics to fit any budget, Audio-Technica is positioned to reign over the largest touring stages to the smallest of club venues.



Vocal Microphones | Artist Elite™



AE5400

Cardioid Condenser Handheld Microphone



cardioid

top applications: **vocals**

- The ultimate vocal performance instrument
- Pristine sound quality demanded by the most discriminating microphone user
- Same large-diaphragm element as the renowned AT4050 studio microphone; true condenser design
- Superior anti-shock engineering ensures low handling noise and quiet performance
- High-quality double-sided PCB uses surface-mount components
Extensive grounding plane and attention to best-practice grounding methods minimize electrical noise.

frequency response: 20–20,000Hz



AE3300

Cardioid Condenser Handheld Microphone



cardioid

top applications: **vocals**

- Exceptional performance for exceptional performers
- Same element as the classic AT4033 studio microphone
- Well-tempered polar pattern with outstanding rejection qualities
- Superior anti-shock engineering ensures low handling noise and quiet performance
- High-quality double-sided PCB uses surface-mount components
Extensive grounding plane and attention to best-practice grounding methods minimize electrical noise
- Cardioid polar pattern reduces pickup of sounds from the sides and rear, improving isolation of desired sound source.

frequency response: 30–18,000Hz



AE6100

Hypercardioid Dynamic Handheld Microphone



hypercardioid

top applications: **vocals**

- Assertive sound for the uncompromising vocalist
- Great presence with excellent monitor cut
- High output, fast transients and clean articulation
- The back-cavity assembly “floats” inside the handle shell, providing exceptional isolation from handling noise
- Maximum feedback rejection
- Hypercardioid polar pattern improves isolation of desired sound source
- Superior anti-shock engineering for low handling noise
- Multi-stage grille design offers excellent protection against plosives and sibilance without compromising high-frequency clarity.

frequency response: 60–15,000Hz



AE4100

Cardioid Dynamic Handheld Microphone



cardioid

top applications: **vocals**

- Destined to be the next classic
- Optimized for the stage with excellent isolation properties
- The back-cavity assembly “floats” inside the handle shell, providing exceptional isolation from handling noise
- Superior anti-shock engineering for low handling noise
- Multi-stage grille design offers excellent protection against plosives and sibilance without compromising high-frequency clarity
- Cardioid polar pattern reduces pickup of sounds from the sides and rear, improving isolation of desired sound source
- Outstanding pop protection.

frequency response: 90–18,000Hz

Vocal Microphones | Artist Series



cardioid

ATM710

Cardioid Condenser Handheld Microphone

top applications: **vocals**

- Excels in venues with controlled stage volume or In-Ear monitoring
- Cardioid polar pattern reduces pickup of sounds from the sides and rear, improving isolation of desired sound source
- Superior anti-shock engineering for low handling noise
- Multi-stage grille design offers excellent protection against plosives and sibilance without compromising high-frequency clarity
- Condenser design for studio-quality performance
- Integral 80Hz HPF switch and 10dB pad
- Corrosion-resistant contacts from gold-plated XLRM-type connector.

frequency response: 40–20,000Hz



hypercardioid

ATM610a

Hypercardioid Dynamic Handheld Microphone

top applications: **vocals**

- Hypercardioid polar pattern reduces pickup of sounds from the sides and rear, improving isolation of desired sound source
- Durable performance for professional applications
- Superior internal shock mounting reduces handling and stage noise
- Rare-earth magnet for articulate vocal reproduction
- Multi-stage grille design offers excellent protection against plosives and sibilance without compromising high-frequency clarity
- Quiet-Flex™ stand clamp provides silent, flexible microphone positioning.

frequency response: 40–16,000Hz



ATM510

Cardioid Dynamic Handheld Microphone



cardioid

top applications: **vocals**

- Superior internal shock mounting reduces handling and stage noise
- Tailored for smooth, natural vocal reproduction
- Cardioid polar pattern reduces pickup of sounds from the sides and rear, improving isolation of desired sound source
- Durable performance for professional applications
- Rare-earth magnet for improved output and transient response
- Excellent off-axis rejection for minimum feedback
- Multi-stage grille design offers excellent protection against plosives and sibilance without compromising high-frequency clarity.

frequency response: 90–16,000Hz

Vocal Microphones | Artist Series



cardioid

ATM75
Cardioid Condenser Headworn Microphone

top applications: **vocals**

- Professional-quality vocal pickup with hands-free operation
- Low-visibility headband provides stable, comfortable fit
- Pivot-mounted flexible mic boom descends from left or right side
- Belt-mounted power module operates on battery or phantom power
- Cardioid polar pattern improves isolation of desired sound source
- Also available as: ATM75cW – less power module; 55" (1.4m) cable terminated with locking 4-pin connector for A-T UniPak™ wireless systems.

frequency response: 100–13,000Hz



cardioid

ATM73a
Cardioid Condenser Headworn Microphone

top applications: **vocals**

- Ideal for drummers, keyboard players or anyone requiring hands-free operation
- Comfortable, unobtrusive headband design with side-of-mouth pickup
- Belt-mounted power module operates on battery or phantom power
- Cardioid polar pattern improves isolation of desired sound source
- Also available as ATM73cW – less power module; 55" (1.4m) cable terminated with locking 4-pin connector for A-T UniPak™ wireless systems.

frequency response: 40–15,000Hz



cardioid

AT2010

Cardioid Condenser Handheld Microphone

top applications: **vocals**

- Extended frequency response and superior transient response for smooth, natural sonic characteristics
- High SPL-handling and wide dynamic range provide unmatched versatility
- Cardioid polar pattern reduces pickup of sounds from the sides and rear, improving isolation of desired sound source
- Multi-stage grille design offers excellent protection against plosives and sibilance without compromising high-frequency clarity
- Corrosion-resistant contacts from gold-plated XLRM-type connector
- Rugged, all-metal and construction for years of trouble-free service.

frequency response: 40–20,000Hz



cardioid

Pro9cW

Cardioid Condenser Headworn Microphone

top applications: **vocals**

- Versatile head worn condenser microphone
- Sweat resistant, robust microphone made from hard wearing, durable material
- Ergonomic design with adjustable head strap for a secure fit
- Flexible gooseneck boom for optimal microphone positioning
- Integrated shock mount to reduce unwanted noise and vibration
- Ideal for presentations, group fitness instructors and musicians.

frequency response: 100–16,000Hz

Vocal Microphones | Pro Series



hypercardioid

PRO 61

Hypercardioid Dynamic Handheld Microphone

top applications: **vocals**

- Premier Pro Series vocal microphone delivers excellent gain before feedback and outstanding stage presence for lead and back-up vocals
- Extended frequency response provides optimal clarity and smooth, natural sonic characteristics
- Hypercardioid polar pattern improves isolation of desired sound source
- Superior internal shock mounting reduces handling noise
- Rare-earth magnet for articulate vocal reproduction
- Two-stage ball-type headcase for superior “pop” protection
- Corrosion-resistant contacts from gold-plated XLRM-type connector
- Rugged design and construction for reliable performance.

frequency response: 70–16,000Hz



cardioid

PRO 41

Cardioid Dynamic Handheld Microphone

top applications: **vocals**

- Natural, full-range vocal reproduction; ideal for close-up vocal use in performance
- Superior internal shock mounting reduces handling noise
- Cardioid polar pattern reduces pickup of sounds from the sides and rear, improving isolation of desired sound source
- Rare-earth magnet for articulate vocal reproduction
- Two-stage ball-type headcase for superior “pop” protection
- Silent on/off operation thanks to MagnaLock™ on/off switch
- Corrosion-resistant contacts from gold-plated XLRM-type connector
- Rugged design and construction for reliable performance.

frequency response: 90–16,000Hz



PRO 31 & PRO 31QTR

Cardioid Dynamic Handheld Microphone



cardioid

top applications: **vocals**

- Close-up vocal performance microphone sets price/performance standards for intelligibility, transparent sound quality and noise suppression
- Cardioid polar pattern reduces pickup of sounds from the sides and rear, improving isolation of desired sound source
- Rare-earth magnet for high output and articulate vocal reproduction
- Two-stage ball-type headcase for superior “pop” protection
- Silent on/off operation thanks to MagnaLock™ on/off switch
- Corrosion-resistant contacts from gold-plated XLRM-type connector
- Rugged design and construction for reliable performance.

frequency response: 60–13,000Hz



PRO 70

Cardioid Condenser Lavalier Microphone



cardioid

top applications: **vocals, acoustic guitar**

- Miniature condenser microphone is ideal for both vocal and acoustic guitar applications
- Natural and articulate vocal reproduction when used as a clip-on lavalier—clothing clip included
- Excels in pickup of acoustic guitar with included instrument adapter
- Cardioid polar pattern reduces pickup of sounds from the sides and rear, improving isolation of desired sound source
- Switchable low-frequency roll-off
- Corrosion-resistant contacts from gold-plated XLRM-type connector
- Operates on battery or phantom power.

frequency response: 100–14,000Hz

Instrument Microphones



Since the mid-1970s Audio-Technica has been passionate about producing the best instrument microphones for performing musicians. From the revolutionary AE2500 cardioid kick-drum mic with its dual-element (condenser and dynamic) design to the redesigned ATM350a microphone systems with their many mounts and extreme-SPL capacity to a whole host of other meticulously designed, durable microphones, Audio-Technica has the professional instrumentalist covered.



Instrument Microphones | Artist Elite™



cardioid

AE2500

Dual-element Cardioid Instrument Microphone

top applications: **kick drum, bass & guitar cabinets**

- Revolutionary dual-element design represents a ground-breaking transducer achievement
- Two elements (condenser and dynamic) are enclosed in a single housing
- Dynamic element delivers the aggressive attack of the beater while the condenser captures the round tonalities of the shell
- Elements are positioned in a perfect phase relationship, something practically unachievable with two separate microphones
- Robust design for enduring dependability on the road
- Integral 80Hz HPF switch and 10dB pad on condenser element.

frequency response: 20–17,000Hz



Dynamic Element

Condenser Element



AE5100

Cardioid Condenser Instrument Microphone



cardioid

top applications: **overheads, acoustic guitar, choir**

- Large-diaphragm capsule delivers accurate and natural response
- Low-profile design permits innovative placement options previously unattainable with a large-diaphragm condenser
- Cardioid polar pattern reduces pickup of sounds from the sides and rear, improving isolation of desired sound source
- Robust design for enduring dependability on the road
- Includes isolation clamp for shock protection, secure mounting and easy positioning
- Integral 80Hz HPF switch and 10dB pad.

frequency response: 20–20,000Hz



AE3000

Cardioid Condenser Instrument Microphone



cardioid

top applications: **toms, guitar cabinets, horns**

- Excels in high-SPL applications
- Large-diaphragm capsule combines with the open architecture of the headcase to provide an extremely accurate and open sound
- Low-profile side-address design with tapered grille allows optimal positioning of element vis-à-vis sound source
- Cardioid polar pattern reduces pickup of sounds from the sides and rear, improving isolation of desired sound source
- Robust design for enduring dependability on the road
- Integral 80Hz HPF switch and 10dB pad.

frequency response: 20–20,000Hz



Instrument Microphones | Artist Elite™



AE2300

Cardioid Dynamic Instrument Microphone



cardioid

top applications: **toms, guitar cabinets, horns**

- Excels in high-SPL applications
- Proprietary double-dome diaphragm construction that improves high-frequency and transient response
- Maintains directionality across the entire frequency range
- Minimal off-axis coloration (frequency response is nearly identical at 0°, 90°, and 180°) helps to maintain phase cohesion in multiple microphone setups
- Switchable low-pass filter removes harsh, high-frequency hiss without negatively affecting the overall tone of an instrument.

frequency response: 60–20,000Hz



ATM450
Cardioid Condenser Instrument Microphone



cardioid

top applications: **acoustic guitar, hi-hat, overheads**

- Unique side-address stick design maximizes placement options with minimal obstructions
- Uncompromising sound quality for overheads, percussion, acoustic guitar, strings and other acoustic instruments
- Integral 80Hz HPF switch and 10dB pad
- Durable performance for professional applications
- Cardioid polar pattern reduces pickup of sounds from the sides and rear, improving isolation of desired sound source
- Rugged, all-metal design and construction for years of trouble-free use.

frequency response: 40–20,000Hz



Instrument Microphones | Artist Series



ATM650

Hypercardioid Dynamic Instrument Microphone



hypercardioid

top applications: **snare, guitar cabinets, vocals**

- Hypercardioid polar pattern reduces pickup of sounds from the sides and rear, improving isolation of desired sound source
- Durable performance for professional applications
- Special dual-wall floating construction reduces handling noise and assures consistent performance from mic to mic
- Rare-earth magnet for improved output and transient response
- Multi-stage flat grille design is engineered to enable easy placement as close as possible to sound source
- Corrosion-resistant contacts from gold-plated XLRM-type connector.

frequency response: 80–17,000Hz



ATM350PL
Cardioid Condenser Instrument Microphone
w/ Magnetic Piano Mounting System (Long)



cardioid

top applications: **piano**

This system's unique magnetic mount attaches to the piano's cast iron frame or other metal part, allowing you to easily position the mic exactly where you want it. Whether set up vertically or horizontally, the mount stays where it is placed, but can also be repositioned with ease. Like the mounts in other ATM350a systems, the piano mount includes a screw to lock its 9" gooseneck into the mounting socket, and its base is lined with felt to prevent damage to the instrument.

frequency response: 40–20,000Hz

includes: ATM350a Microphone, AT8543 Power Module, AT8491P Magnetic Piano Mount, AT8490L 9" Gooseneck, AT8468 Violin Mount (hook-and-loop fastener), Protective Carrying Case.





cardioid

ATM350U

Cardioid Condenser Instrument Microphone
w/ Universal Clip-on Mounting System

top applications: **brass, saxophone and other instruments**

With a 5" gooseneck and universal clip-on mount, the ATM350U is ideal for brass and sax players, yet is versatile enough to fit nearly any application. The mount features strong, rubber-lined clamping jaws and a locking screw to securely fasten the mount to the bell of your instrument or other surface. The socket screw locks the gooseneck to the mount, giving you the flexibility to position the mic exactly where you want it and the confidence to play freely, knowing that the mic will stay in place, no matter how much you move about.

frequency response: 40–20,000Hz

includes: ATM350a Microphone, AT8543 Power Module, AT8491U Universal Clip-on Mount, AT8490 5" Gooseneck, AT8468 Violin Mount (hook-and-loop fastener), Protective Carrying Case.



cardioid

ATM350UL

Cardioid Condenser Instrument Microphone
w/ Universal Clip-on Mounting System (Long)

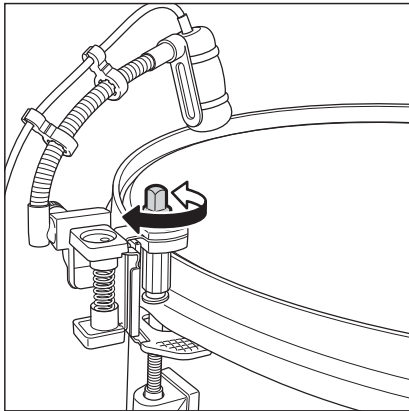
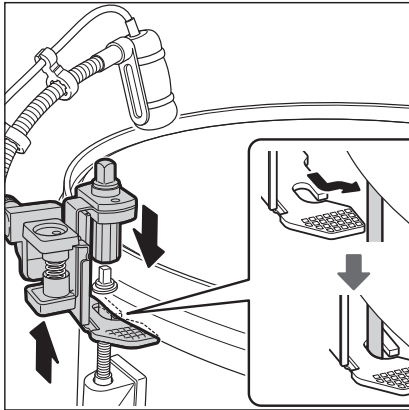
top applications: **brass, saxophone and other instruments**

The long universal mounting system includes the same adjustable clip-on mount as the shorter version, but with a 9" gooseneck. This is perfect for musicians who like to position the mic farther away from the instrument's bell or for those playing big-belled instruments like the tuba.

frequency response: 40–20,000Hz

includes: ATM350a Microphone, AT8543 Power Module, AT8491U Universal Clip-on Mount, AT8490L 9" Gooseneck, AT8468 Violin Mount (hook-and-loop fastener), Protective Carrying Case.





ATM350D
Cardioid Condenser Instrument Microphone
w/ Drum Mounting System

top applications: **snare, toms**

The Drum Mounting System is designed to stand up to powerful drumming. The spring-loaded mount clamps onto a tension rod (without hindering your ability to adjust the tension) and provides excellent shock resistance for the mic. The sturdiness of the 5" gooseneck ensures that the mic will stay where you set it and won't bounce around, no matter how hard you play.

frequency response: 40–20,000Hz
includes: ATM350a Microphone, AT8543 Power Module, AT8491D Drum Mount, AT8490 5" Gooseneck, AT8468 Violin Mount (hook-and-loop fastener), Protective Carrying Case.





ATM350W
Cardioid Condenser Instrument Microphone
w/ Woodwind Mounting System



cardioid

top applications: **clarinet, flute**

The adjustable hook-and-loop strap on the woodwind mount allows it to be easily attached just above the bell of the instrument. Specially designed contact points on the base of the mount minimize damping of the instrument's resonance, while the strap's rubber pad (opposite the mount) ensures a secure fit. The sturdy 5" gooseneck lets you adjust the proximity of the mic to the bell, as desired.

frequency response: 40–20,000Hz
includes: ATM350a Microphone, AT8543 Power Module, AT8491W Woodwind Mount, AT8490 5" Gooseneck, AT8468 Violin Mount (hook-and-loop fastener), Protective Carrying Case.

UniMount™ components



AT8490
Gooseneck



AT8490L
Gooseneck (long)



AT8491D
Drum Mount



AT8491P
Magnetic Piano Mount



AT8491U
Universal Clip-on Mount



AT8491W
Woodwind Mount

Instrument Microphones | Artist Series



hypercardioid

ATM250

Hypercardioid Dynamic Instrument Microphone

top applications: **kick drum, bass cabinets, voiceovers**

- Handles very high SPL at close range
- Big, warm low-frequency response with excellent presence
- Hypercardioid polar pattern reduces pickup of sounds from the sides and rear, improving isolation of desired sound source
- Durable, proven performance for professional applications
- Rare-earth magnet for improved output and transient response
- Superior off-axis rejection for maximum gain before feedback
- Corrosion-resistant contacts from gold-plated XLRM-type connector.

frequency response: 40–15,000Hz



cardioid



hypercardioid

ATM250DE

Dual-Element Instrument Microphone

top applications: **kick drum, bass cabinets, voiceovers**

- Proven dual-element design features two elements
- Dynamic element with rare-earth magnet provides punch and attack
- Condenser element captures the full audio spectrum
- Perfect for kick drum, guitar amps and instrument use
- Integral 80Hz HPF switch and 10dB pad
- Rugged, all-metal design and construction.

frequency response: 40–20,000Hz (condenser)
40–15,000Hz (dynamic)



ATM230

Hypercardioid Dynamic Instrument Microphone



hypercardioid

ATM230PK

Hypercardioid Dynamic Instrument Microphone (3 pack)

top applications: **toms, snare drum, percussion instruments**

- Hypercardioid polar pattern reduces pickup of sounds from the sides and rear, improving isolation of desired sound source
- Handles very high SPL at close range
- Big, warm low-frequency response with excellent attack
- Low-profile design permits versatile placement around drum kit
- Rugged, all-metal design and construction for years of trouble-free use.

frequency response: 30–12,000Hz



Instrument Microphones | Pro Series





PRO 70
Cardioid Condenser Lavalier Microphone



cardioid

top applications: **vocals, acoustic guitar**

- Miniature condenser microphone is ideal for both vocal and acoustic guitar applications
- Natural and articulate vocal reproduction when used as a clip-on lavalier— clothing clip included
- Excels in pickup of acoustic guitar with included instrument adapter
- Cardioid polar pattern reduces pickup of sounds from the sides and rear, improving isolation of desired sound source
- Switchable low-frequency roll-off
- Corrosion-resistant contacts from gold-plated XLRM-type connector
- Operates on battery or phantom power.

frequency response: 100–14,000Hz



PRO 37
Small-diaphragm Cardioid Condenser Microphone



cardioid

top applications: **acoustic guitar, overheads, piano, group vocals**

- Professional performance for studio recording and live sound reinforcement
- Low-mass element for superb transient response
- Excels in high-SPL applications
- Low-profile design for optimal mic placement
- Corrosion-resistant contacts from gold-plated XLRM-type connector
- Rugged design and construction for reliable performance
- Cardioid polar pattern reduces pickup of sounds from the sides and rear, improving isolation of desired sound source.

frequency response: 30–15,000Hz

Instrument Microphones | Pro Series





PRO 25ax
Hypercardioid Dynamic Instrument Microphone



hypercardioid

top applications: **kick drum, percussion, brass**

- Delivers a warm low-frequency response with excellent presence
- Hypercardioid polar pattern improves isolation of desired sound source
- Superior off-axis rejection for maximum gain before feedback
- Versatile mounting options and effective dampening of mechanical noise thanks to included AT8471 isolation clamp
- Rugged design and construction for reliable performance.

frequency response: 30–12,000Hz



PRO 35
Cardioid Condenser Clip-on Instrument Microphone



cardioid

top applications: **sax, toms, brass, percussion**

- UniMount™ clip permits accurate positioning, provides shock resistance and protects element
- Cardioid polar pattern reduces pickup of sounds from the sides and rear, improving isolation of desired sound source
- Extended frequency response captures subtle nuances of the performance
- 1.8m cable permanently attached to microphone.

frequency response: 50–15,000Hz

Wireless Systems

Audio-Technica introduced its first wireless microphone system in 1989, and with subsequent systems quickly became an industry leader, equipping major worldwide touring productions to small meeting rooms, and stages and spaces of every size in between. With the various models of its revolutionary 2.4GHz System 10 range, its true diversity Artist Elite Wireless and other UHF systems, Audio-Technica continues to push forward as a wireless innovator.







front

5000 Series

Frequency-agile True Diversity UHF Wireless Systems

Designed for use on professional tours, in stadiums, concert halls, houses of worship and other demanding audio environments, the Audio-Technica 5000 Series provides incredible audio quality and proven, critically acclaimed performance for artists, broadcasters and presenters worldwide.

The third-generation, dual-receiver 5000 Series continues to offer the highest-quality wireless live sound, with dual-compressor circuitry that processes high and low frequencies separately and True Diversity operation. But now the receiver features a tuning bandwidth of 230MHz: 470-700MHz. And you have the option of selecting a standard receiver (ATW-R5220) with two balanced XLR outputs or a receiver (ATW-R5220DAN) that also includes a Dante output. Also new is an antenna cascade output that connects up to eight receivers so a single pair of antennas can feed up to 16 channels of wireless, an auto squelch feature that adjusts the squelch setting to maximize operating range while minimizing potential interference, and a backup frequency feature that can be quickly accessed by pressing the transmitter's

multifunction button. Software enables remote monitoring and control of the wireless system.

Two transmitters are available for use with the 5000 Series: ATW-T5201 body-pack transmitter and ATW-T5202 handheld transmitter. Both transmitters feature rugged, ergonomic metal bodies, highly visible OLED screens, programmable features, soft-touch controls, and switchable RF power (2mW/10mW/50mW). They are available in two different frequency ranges – DE1 (470–590MHz) and EG1 (580-700MHz) – to provide complete coverage of the receiver's bandwidth. The compact ATW-T5201 is equipped with Audio-Technica's new cH-style screw-down 4-pin connector for secure connection to A-T's cH-style lavalier and headworn microphones and cables. The ATW-T5202 includes a high-pass filter and industry-standard threads for the mounting of interchangeable microphone capsules.



back

ATW-R5220DAN

Dante Receiver

ATW-R5220

Receiver

5000 Series components and compatible accessories are offered as individual, à la carte products, instead of as preconfigured systems, to give you the greatest possible flexibility in constructing a system that fits your needs.

- Dual-channel receiver provides 230MHz UHF tuning bandwidth (470-700MHz) for maximum versatility in an ever-congested RF environment
- Antenna cascade output allows 8 receivers to be connected so that a single pair of antennas can feed up to 16 channels of wireless. These connectors also provide a simple RF cable check feature to aid in RF troubleshooting
- Auto Squelch feature adjusts squelch setting to maximize range while minimizing potential interference
- Unique multifunction button on the handheld and body-pack transmitters can be used to switch to a backup frequency (on both transmitter and receiver) should interference be encountered
- Dual Comander circuitry processes high and low frequencies separately for unmatched audio quality
- The full-rack receiver chassis holds two independent receivers, and offers antenna power, frequency scan and IR sync functionality, a ground-lift switch, and a front-panel headphone jack
- Dual-mode, highly visible OLED receiver display can switch between standard view or a performance view that highlights key metering
- Receiver is available with two balanced XLR outputs (ATW-R5220) or with two balanced XLR outputs and a Dante output (ATW-R5220DAN)
- Both transmitters are available in two bands – DE1 (470–590MHz) and EG1 (580-700MHz) – and offer rugged, ergonomic metal bodies, highly visible OLED displays, programmable features, soft-touch controls, and switchable 2/10/50mW RF power
- Handheld transmitter features high-pass filter and accepts six interchangeable microphone capsules (based on best-selling Audio-Technica models) that use industry-standard thread mount and provide low-handling noise.

Wireless Systems | 5000 Series

Interchangeable
Microphone
Capsules (IMC)



ATW-T5202
Handheld
Transmitter Body



ATW-C5400
Cardioid Condenser



ATW-C3300
Cardioid Condenser



ATW-C6100
Hypercardioid Dynamic



ATW-C4100
Cardioid Dynamic



ATW-C710
Cardioid Condenser



ATW-C510
Cardioid Dynamic

ATW-T5201
Body-pack Transmitter



New
CH-style screw-down
4-pin connector for secure
connection to A-T's CH-style
lavalier and headworn
microphones, or cables.



ATW-R3210
Receiver

3000 Series

Frequency-agile True Diversity UHF Wireless Systems

The Audio-Technica fourth-generation 3000 Series wireless systems give you the power and flexibility to operate within the congested UHF spectrum. 3000 Series systems have an operating range of 100m and are available in four frequency bands – DE2 (470-530MHz), EE1 (530-590MHz), EF1 (590-650MHz) and FG1 (650-700MHz) – that provide a 60MHz tuning range each, which is more than twice that offered by the previous 3000 Series models. Frequencies can be easily scanned and selected on the receiver and then synced with the transmitter via IR sync functionality. The 3000 Series even lets you set a backup frequency that can be quickly accessed by pressing the transmitter's multifunction button in the event of unexpected interference.

Available system configurations feature an ATW-R3210 receiver along with an ATW-T3201 body-pack or ATW-T3202 handheld transmitter. The ATW-T3201 is equipped with Audio-Technica's new cH-style screw-down 4-pin connector for secure connection to A-T's cH-style lavalier and headworn microphones, or cables. The ATW-T3202 comes with either a ATW-C510 dynamic or ATW-C710 condenser interchangeable cardioid capsule, and its industry-standard threads allow for the use of other compatible A-T capsules. Both transmitters feature rugged, metal housings and are powered by two AA batteries. Charging terminals on each transmitter work with the ATW-CHG3 and ATW-CHG3N smart charging docks (sold separately) to recharge NiMH batteries.



- Extremely wide 60MHz UHF tuning bandwidth for maximum versatility in an increasingly congested RF environment; available in four frequency bands: DE2 (470-530MHz), EE1 (530-590MHz), EF1 (590-650MHz) and FG1 (650-700MHz)
- Unique multifunction button on the handheld and body-pack transmitters can be used to switch to a backup frequency (on both transmitter and receiver) should interference be encountered
- True Diversity operation reduces dropouts
- Auto Squelch feature adjusts squelch setting to maximize range while minimizing potential interference
- Frequency scan and IR sync functionality for ease of setup
- Dual-mode receiver display can switch between standard view or a performance view that highlights key metering
- Transmitters and receivers offer backlit OLED screen for optimal readout of key settings and alerts
- Handheld transmitter uses industry standard thread mount to affix interchangeable capsules
- New cH-style connector on body-pack transmitter provides secure connection to lavalier, headworn mics and cables with cH-style screw-down 4-pin connector
- Body-pack transmitter features tactile mute toggle switch for physical confirmation of mute status when transmitter display is not visible
- Charging terminals on transmitters work with optional ATW-CHG3 and ATW-CHG3N smart charging docks to recharge NiMH batteries
- Antenna power available for powered antennas and other in-line RF devices.



Wireless Systems | 3000 Series

Interchangeable
Microphone
Capsules (IMC)



ATW-T3202
Handheld
Transmitter
Body



ATW-C710
Cardioid Condenser



ATW-C510
Cardioid Dynamic



ATW-C5400
Cardioid Condenser



ATW-C3300
Cardioid Condenser



ATW-C6100
Hypercardioid Dynamic



ATW-C4100
Cardioid Dynamic

ATW-T3201
Body-pack Transmitter



New
cH-style screw-down
4-pin connector for
secure connection to
A-T's cH-style lavalier
and headworn
microphones, or
cables.

optional
ATW-CHG3
Two-Bay
Recharging Station
TBD

ATW-CHG3N
Two-Bay Networked
Charging Station
TBD



system configurations

	<p>ATW-3211</p> <p>includes: ATW-R3210, ATW-T3201</p>
	<p>ATW-3211/831</p> <p>includes: ATW-R3210, ATW-T3201, AT831cH</p>
	<p>ATW-3211/892</p> <p>includes: ATW-R3210, ATW-T3201, BP892cH</p>
	<p>ATW-3211/892-TH</p> <p>includes: ATW-R3210, ATW-T3201, BP892cH-TH</p>

	<p>ATW-3211/899</p> <p>includes: ATW-R3210, ATW-T3201, AT899cH</p>
	<p>ATW-3212/C510</p> <p>includes: ATW-R3210, ATW-T3202, ATW-C510</p>
	<p>ATW-3212/C710</p> <p>includes: ATW-R3210, ATW-T3202, ATW-C710</p>

Wireless Systems | System 10 Pro



ATW-RC13
Receiver Chassis



ATW-RU13
Receiver Unit



ATW-T1001
UniPak™ Transmitter



ATW-T1002
Unidirectional Dynamic
Transmitter



System 10 PRO

Digital Wireless Systems

Audio-Technica's System 10 Pro rack-mount digital wireless system provides the same interference-free operation in the 2.4GHz range as the original System 10 but with expanded features and versatility. The durable rack-mount chassis houses two receiver units that can be operated locally or released from the chassis and mounted remotely—even in separate rooms—via Ethernet cable. Up to five chassis (10 receivers) can be linked using the RJ12 cable included with each system, allowing for the simultaneous use of up to 10 channels. Both the receiver chassis and transmitters feature easy-to-read displays.

Like all the products in the System 10 wireless family, the Pro Rack-Mount features 24-bit operation, easy setup, clear, natural sound quality, and three levels of diversity assurance: frequency, time, and space. Frequency Diversity sends the signal on two dynamically allocated frequencies for

interference-free communication. Time Diversity sends the signal in multiple time slots to maximize immunity to multipath interference. Space Diversity uses two antennas on each transmitter and receiver to maximize signal integrity.

- Digital 24-bit/48kHz wireless operation for ultimate sound quality and dependable performance
- Operates in the 2.4GHz range—completely free from TV interference
- Each receiver chassis houses two receiver units that can also be mounted remotely via Ethernet cable
- Up to five chassis (ten receivers) can be linked and used simultaneously
- Chassis' LCD System Display shows RF signal level, system ID, transmitter battery level, and system link status.

system configurations



ATW-R1310

includes:
ATW-RC13, ATW-RU13



ATW-R1320

includes:
ATW-RC13, ATW-RU13 x 2



ATW-1301

includes:
ATW-RC13, ATW-RU13, ATW-T1001



ATW-1302

includes:
ATW-RC13, ATW-RU13, ATW-T1002



ATW-1311

includes:
ATW-RC13, ATW-RU13 x 2, ATW-T1001 x 2



ATW-1312

includes:
ATW-RC13, ATW-RU13 x 2, ATW-T1001,
ATW-T1002



ATW-1322

includes:
ATW-RC13, ATW-RU13 x 2, ATW-T1002 x 2

Wireless Systems | System 10



ATW-R1100
Stack-mount Receiver

ATW-T1002
Unidirectional Dynamic
Transmitter



ATW-T1001
UniPak™ Transmitter



System 10 Stack-Mount Digital Wireless Systems

Audio-Technica's System 10 is a digital high-fidelity wireless system designed to provide performing musicians and presenters with advanced 24-bit operation, easy setup and clear, natural sound quality. Operating in the 2.4GHz range, far from TV and DTV interference, System 10 offers extremely easy operation and instantaneous channel selection. Up to eight channels may be used together without any frequency coordination problems or group selection issues.

System 10 wireless ensures clear communications by providing three levels of diversity assurance: frequency, time, and space. Frequency Diversity sends the signal on two dynamically allocated frequencies for interference-free communication. Time Diversity sends the signal in multiple time slots to maximize immunity to multipath interference. Finally, Space Diversity uses two antennas on each transmitter and receiver to maximize signal integrity.

- Digital 24-bit/48kHz wireless operation for ultimate sound quality and dependable performance
- 2.4GHz range – completely free from TV interference

- Three levels of diversity assurance: frequency, time, & space
- Automatic frequency selection for seamless, interference-free operation
- Extremely easy operation with instantaneous channel selection, sync, and set-up
- State-of-the-art digital receiver for reliable performance
- Balanced XLR and unbalanced 1/4" output jacks with level control.

system configurations



ATW-1101
includes:
ATW-R1100, ATW-T1001



ATW-1102
includes:
ATW-R1100, ATW-T1002



M3T
Transmitter



M3R
Receiver



EP3
In-Ear Dynamic Headphones

M3
Wireless In-Ear Monitor System

Audio-Technica's advanced M3 IEM system offers a full range of professional In-Ear monitoring features, with a choice of 1,321 UHF channels and easy-to-read LCD information displays on both transmitter and receiver for setting preferences. The stereo monitor system is equipped with Personal Mix Control, which allows volume and mix control of two independent signals on stage, via controls on the M3R stereo body-pack receiver. The M3T stereo transmitter is equipped with two XLR/ 1/4" combo input connectors into which users can connect line-level inputs (from a mixing console, for example).

- High-fidelity sound with clean, articulate mix allows performers to hear themselves clearly at lower volume
- 1,321 selectable UHF channels with automatic frequency scanning
- Up to 16 simultaneous systems per frequency band
- Three receiver modes: Personal Mix, stereo and mono
- Personal Mix Control allows volume/mix control of two independent signals at the receiver
- LCD information display offers step-through menus for setting preferences

- XLR loop output (true pass-through)
- Adjustable squelch eliminates annoying static
- Pilot tone protects against RF interference when transmitter is turned off
- Multi-level limiter (defeatable) helps protect hearing from sudden peaks
- In-Ear headphones with proprietary dynamic drivers
- Personal fit with 3 sizes of rubber eartips plus ear-conforming foam tips
- Available in two frequency bands:
Band L: 575.000–608.000MHz
Band M: 614.000–647.000MHz.

system configurations



M3
includes:
M3R, M3T, EP3

Wireless Systems | 2000 Series



ATW-R2100b
Receiver



ATW-T210a
UniPak™ Transmitter



ATW-T220a
Unidirectional Dynamic Transmitter



optional
ATW-CHG2
Two-Bay Recharging Station

2000 Series

Frequency-agile True Diversity UHF Wireless Systems







The 2000 Series is a 10-channel frequency-agile UHF wireless system designed to suit a variety of applications, including MI/live performance, fixed installation, public address, A/V rental houses and places of worship. It offers all the advantages of a high-quality, professional wireless system at an extremely affordable price.

Available in five frequency bands (656–678, 487–506, 606–614, 614–630, 840–865MHz) with 10 selectable frequencies and True Diversity UHF wireless technology, the 2000 Series features automatic frequency scanning. At the touch of a button, this function automatically determines and sets the best available frequency. Any of the 2000 Series' 10 channels may be used together without any frequency coordination problems or group selection issues. Additionally, the 2000 Series incorporates Audio-Technica's digital Tone Lock™ squelch plus an easy-to-read LCD information display.

- Clear sound quality and rock-solid, dependable performance
- Automatic frequency scanning
- All 10 user-switchable channels are compatible
- True Diversity operation selects the better signal from the two receiver sections, reducing dropouts
- Tone Lock™ tone squelch system fights interference
- Rugged metal half-rack receiver with soft-touch controls and LCD display
- Balanced XLR and unbalanced ¼" output jacks enable use with a wide variety of audio gear
- Includes rack-mount kit and detachable UHF antennas
- Ground-lift switch helps eliminate audible hum caused by ground loops between the sound system and receiver
- Available in five frequency bands:
 - D Band: 656.125–678.500MHz
 - I Band: 487.125–506.500MHz
 - UA Band: 606.000–614.000MHz
 - UB Band: 614.000–630.000MHz
 - F Band: 840.125–865.000MHz.

system configurations

	<p>ATW-2110b</p> <p>includes: ATW-R2100b, ATW-T210a</p>
	<p>ATW-2120b</p> <p>includes: ATW-R2100b, ATW-T220a</p>
	<p>ATW-2110b/G</p> <p>includes: ATW-R2100b, ATW-T210a, AT-GcW instrument cable</p>
	<p>ATW-2110b/P</p> <p>includes: ATW-R2100b, ATW-T210a, AT829cW</p>
	<p>ATW-2110b/P1</p> <p>includes: ATW-R2100b, ATW-T210a, AT899cW</p>

	<p>ATW-2110b/P2</p> <p>includes: ATW-R2100b, ATW-T210a, AT831cW</p>
	<p>ATW-2110b/P3</p> <p>includes: ATW-R2100b, ATW-T210a, MT838cW</p>
	<p>ATW-2110b/H</p> <p>includes: ATW-R2100b, ATW-T210a, ATM73cW</p>
	<p>ATW-2110b/HC1</p> <p>includes: ATW-R2100b, ATW-T210a, ATM75cW</p>
	<p>ATW-2110b/HC2</p> <p>includes: ATW-R2100b, ATW-T210a, ATM73cW</p>
	<p>ATW-2110b/HC3</p> <p>includes: ATW-R2100b, ATW-T210a, BP892cW-TH</p>

AT-ONE Wireless System



ATW-R1
Receiver



ATW-T1
Beltpack
Transmitter



ATW-T3
Handheld
Transmitter

AT-One, Audio-Technica's entry level UHF wireless system.

With a 2 x 4 channel frequency plan for enhanced flexibility, sturdy but stylish build quality and a simple user interface, AT-One is ready to become your perfect wireless companion.

AT-One is designed with simplicity and ease-of-use in mind. Equipped with a practical carrying case, rack-mount kit and detachable antennae, AT-One is the perfect balance of price and performance, ideal for those looking for accurate, reliable performance at an entry level price.

The AT-One's frequency plan is divided into two groups with 4 available channels in each group, giving users unparalleled flexibility in its price range. Users can choose any combination of up to 4 channels within one group.

Available in two configurations, AT-One can be purchased with a beltpack or handheld transmitter. The ATW-T1 comes equipped with a sturdy, discreetly designed beltpack, providing 10mW RF output power, damping switch and a battery life of 10 hours. The ATW-T3 handheld system features the ATW-T3 cardioid condenser handheld transmitter, again with 10mW RF output and 10 hour battery life.

The ATW-T3's condenser handheld microphone prevents the possibility of feedback when used in venues with induction loops installed.

ATW-R1
Receiver

ATW-T1
Beltpack Transmitter

- The ATW-T1 Beltpack transmitter is designed to be used exclusively with the AT-One UHF wireless system.

ATW-T3
Handheld Transmitter

- The ATW-T3 Handheld Transmitter is a cardioid condenser microphone designed to be used exclusively with the AT-One UHF wireless system.

AT8677

Dual rackmount kit (optional)

- Include 2 rack ears + 2 joint brackets.
For mounting two ATW-R1F in a single 19" rack space.

- Simple to set up and use
- 2 x 4 channel frequency plan for enhanced flexibility
- Rack mountable for easy installation
- Intuitive receiver and transmitter controls
- Beltpack with 4-pin connector for microphone or instrument
- Up to 10 hours battery life
- Delivered in a transport case with a rack mount kit and detachable antennas
- Available in the following frequency band:
F Band: 824 - 831MHz + 863 - 865MHz.

system configurations



ATW-11

includes:
ATW-R1, ATW-T1



ATW-11/P

includes:
ATW-R1, ATW-T1, ATR35cW



ATW-13

includes:
ATW-R1, ATW-T3

In-Ear Monitor Headphones



ATH-E70
In-Ear Monitor Headphones

The flagship E-Series model, the ATH-E70 In-Ear monitor headphones deliver precise, detailed audio, making them the perfect choice for monitoring on stage and mixing in the studio. Specially designed housings provide maximum isolation, while the flexible memory cable loops over ears for a custom fit.

- Three balanced armature drivers provide accurate and extended response across the entire frequency range.

frequency response: 20–19,000Hz
included accessories: Carrying case, 6.3mm (1/4") adapter, silicone eartips (XS/S/M/L), Comply™ foam eartips (M).



ATH-E50
In-Ear Monitor Headphones

With powerful single balanced armature drivers, the ATH-E50 In-Ear monitor headphones offer an accurate full-range response for consistent reference in any environment. Specially designed housings provide maximum isolation, while the flexible memory cable loops over ears for a custom fit.

- Powerful single balanced armature drivers provide an accurate full-range response.

frequency response: 20–18,000Hz
included accessories: Carrying case, silicone eartips (XS/S/M/L), 6.3mm (1/4") adapter.



ATH-E40
In-Ear Monitor Headphones

With proprietary dual phase push-pull drivers to control unwanted modulation, the ATH-E40 In-Ear monitor headphones offer exceptional accuracy and clarity. Specially designed housings provide maximum isolation, while the flexible memory cable loops over ears for a custom fit.

- Proprietary dual phase push-pull drivers excel in monitoring applications by providing exceptional accuracy and clarity.

frequency response: 20–20,000Hz
included accessories: Carrying case, silicone eartips (XS/S/M/L), 6.3mm (1/4") adapter.

DJ Products

A DJ performing at a nightclub. The DJ is wearing a white tank top and a white visor, and is standing behind a DJ booth. The crowd is seen from behind, with many people raising their hands in the air. The scene is lit with blue and white stage lights.

Audio-Technica began more than 50 years ago as a designer and manufacturer of premium phono cartridges, including the world's first Dual Moving Magnet stereo cartridge, and soon added tone arms and audiophile headphones to the mix. Drawing from this deep analogue heritage, the Audio-Technica DJ turntables, cartridges and headphones are designed to give DJs the professional, high-fidelity performance, durability, and DJ-specific features they need to excel at their craft.



AT-LP120USBHC

Professional Direct-Drive Turntable (Analogue & USB)

- USB output – connects directly to your computer for plug-&-play use
- Mac- and PC-compatible Audacity software digitises your LPs
- Direct-drive high-torque motor
- Selectable 33/45/78 RPM speeds
- Professional cast aluminium platter with slip mat
- ½-inch mount universal headshell with Dual Magnet™ phono cartridge
- Balanced tonearm with soft damping control
- Switchable built-in pre-amplifier with line-level RCA output cables
- Included cables connect to your stereo or powered speakers
- Stroboscopic platter speed indicator
- Forward and reverse play.

included accessories: headshell, AC line cord; dual RCA (female) to 3.5mm (⅛") mini-plug (male) stereo adapter cable; dual RCA (female) to 3.5mm (⅛") mini-plug (female) stereo adapter cable; 45 RPM adapter; USB cable; recording software ⅜"-16 threaded adapter; soft protective pouch; Audio-Technica cartridge AT95E.



AT-LP1240USB

Direct-Drive Professional DJ Turntable

- 33⅓, 45 and 78 RPM selectable speeds
- Direct-drive 16-pole, three-phase motor with reverse play
- S-shaped tone arm with adjustable tracking force (counterweight)
- Damped cast-aluminium platter with stroboscopic speed markings
- Dual start/stop buttons for horizontal or vertical positioning
- Built-in switchable phono preamp with line or phono output
- Adjustable start and stop speeds and pitch control
- USB output for digital audio transfer
- Removable stylus target light.

included accessories: slip mat; dust cover; platter; 45 RPM adapter; counterweight; headshell; power cord; USB cable; dual RCA (female) to ⅛" (3.5mm) mini-plug (male) stereo adapter cable; dual RCA (female) to ⅛" (3.5mm) mini-plug (female) stereo adapter cable; dual RCA (male) cable with integrated ground wire; stylus target light; Audacity software (CD).



AT95E

Moving Magnet Cartridge

Stylus Shape: Elliptical

Stylus Construction:
Bonded Round Shank

Stylus Dimension: 0.3 x 0.7 mil

Mount: ½"

Frequency Response:
20–20,000Hz

Channel Separation:
20dB (1kHz)

Output Channel Balance:
2.0dB (1kHz)

Output:
3.5mV (1kHz, 5cm/sec)

Vertical Tracing Force Range:
1.5–2.5g (standard 2.0g)

Cantilever: Alloy tube

Weight: 5.7g

Replacement Stylus: ATN95E



AT-XP7

Moving Magnet DJ Cartridge

Stylus Shape: Elliptical

Stylus Construction:
Bonded Round Shank

Stylus Dimension: 0.3 x 0.7 mil

Mount: ½"

Frequency Response:
20–20,000Hz

Channel Separation:
22dB (1kHz)

Output Channel Balance:
2.0dB (1kHz)

Output:
6.0mV (1kHz, 5cm/sec)

Vertical Tracking Force Range:
2.0 to 4.0g (standard 3.0g)

Cantilever: Aluminum tapered pipe

Weight: 6.2g

Replacement Stylus: ATN-XP7



AT-XP5

Moving Magnet DJ Cartridge

Stylus Shape: Elliptical

Stylus Construction:
Bonded Round Shank

Stylus Dimension: 0.3 x 0.7 mil

Mount: ½"

Frequency Response:
20–18,000Hz

Channel Separation:
20dB (1kHz)

Output Channel Balance:
2.0dB (1kHz)

Output:
5.5mV (1kHz, 5cm/sec)

Vertical Tracking Force Range:
2.0 to 4.0g (standard 3.0g)

Cantilever: ABS with carbon

Weight: 6.2g

Replacement Stylus: ATN-XP5



ATH-PRO7X

Professional On-Ear DJ Headphones

- 45mm large-aperture drivers reproduce ultra-expressive, detailed sound
- On-Ear design with sleek, minimalist style
- Detachable locking cables 1.2m – 3.0m coiled and 1.2m straight ensure secure connection during active DJ use
- Maximum input power of 2,000mW enables distortion-free wide-range audio reproduction even at loud volumes
- Premium, soft, durable earpads can be worn comfortably for hours
- Easily replaceable headband cushion
- Lightweight, sturdy construction.

specifications

Driver: 45mm; Frequency Response: 5 – 40,000Hz; Maximum Input Power: 2,000mW; Sensitivity: 100dB/mW; Impedance: 37ohms; Connector: 3.5mm (1/8") mini stereo.



ATH-PRO5X

Professional Over-Ear DJ Headphones

- Newly developed 40mm drivers provide extremely accurate sound
- Rotating earcups provide easy one-ear monitoring
- Detachable locking cables 1.2m – 3.0m coiled and 1.2m straight ensure secure connection during active DJ use
- Maximum input power of 1,500mW enables distortion-free wide-range audio reproduction even at loud volumes
- Over-ear style delivers exceptional isolation and long-wearing comfort
- Lightweight, sturdy construction.

specifications

Driver: 40mm; Frequency Response: 5 – 35,000Hz; Maximum Input Power: 1,500mW; Sensitivity: 100dB/mW; Impedance: 34ohms; Connector: 3.5mm (1/8") mini stereo.



Audio-Technica UK
Audio-Technica Ltd.
Technica House
Unit 5, Millennium Way
Leeds, LS11 5AL
England

T: +44 (0)113 277 1441
F: +44 (0)113 270 4836

E: info@audio-technica.co.uk
eu.audio-technica.com

Audio-Technica Spain
Audio-Technica Iberia SAU
Oficina Barcelona: Montserrat Roig 13
08908 L'Hospitalet de Llobregat
Barcelona, Spain
T: +34 935 222 450

Oficina Madrid: Fresadores 35
28939 Arroyomolinos, Madrid, Spain
T: +34 913 619 081

E: info@audio-technica.es
www.audio-technica.es

Audio-Technica Germany
Audio-Technica Deutschland GmbH
Peter-Sander-Str. 43 C
55252 Mainz-Kastel
Germany

T: +49 (0) 6134 25734 0
F: +49 (0) 6134 25734 50

E: info@audio-technica.de
www.audio-technica.de

Audio-Technica Central Europe
Audio-Technica Central Europe Ltd.
H-1107 Budapest
Fogadó u. 3.
Hungary

T: +36 1 433 34 08
F: +36 1 431 90 06

E: info-ce@audio-technica.eu
www.audio-technica.hu

Audio-Technica France
Audio-Technica SAS
11, rue des Pyramides
75001 Paris
France

T: +33 (0) 1 43 72 82 82
F: +33 (0) 1 43 72 60 70

E: info@audio-technica.fr
www.audio-technica.fr

Audio-Technica Benelux
incorporating lemke Roos Audio
Audio-Technica Benelux B.V.
Kuijperbergweg 20
1101 AG Amsterdam
The Netherlands

T: + 31 20 6972121

E: info@audio-technica.nl
www.audio-technica.nl



audio-technica

©2019 Audio-Technica Ltd

E&OE*: Published specifications may be subject to change without notice.
(*Errors and Omissions Excepted)